

Schematic Diagram Model ST-8080

- Notes:**
- 1. S1: Power source switch in "OFF" position
 - 2. S2-1, S2-2: Muting / FM mode switch in "ON/FM AUTO" position.
 - 3. S3: MPX high blend switch in "OFF" position.
 - 4. S4-1 ~ S4-4: FM selection switch in "FM-ON" position.
 - 5. S5-1 ~ S5-4: AM selection switch in "OFF" position.
 - 6. S6-1 ~ S6-4: Recording level check selection switch in "OFF" position.
 - 7. S7: Voltage selector switch in "240V" position
 - 8. Indicated voltage values are the standard values for the unit measured by the DC electronic circuit tester (high impedance) with the chassis taken as standard. Therefore, there may exist some errors in the voltage values, depending on the internal impedance of the DC circuit tester.
 - 9. This schematic diagram may be modified at any time with the development of new technology.

- IC301 (AN363)
FM MULTIPLEX
PLL DEMODULATOR**
- IC201 (AN217)
FM 2 STEPS IF AMPLIFIER
& AM CONVERTER**
- IC101 (AN377)
FM IF AMPLIFIER & DETECTOR**
- IC401 (SVINJM4558DS)
2 CHANNEL AF AMPLIFIER**

- IC301 (AN363)
FM MULTIPLEX
PLL DEMODULATOR**
- IC201 (AN217)
FM 2 STEPS IF AMPLIFIER
& AM CONVERTER**
- IC101 (AN377)
FM IF AMPLIFIER & DETECTOR**
- IC401 (SVINJM4558DS)
2 CHANNEL AF AMPLIFIER**

- IC301 (AN363)
FM MULTIPLEX
PLL DEMODULATOR**
- IC201 (AN217)
FM 2 STEPS IF AMPLIFIER
& AM CONVERTER**
- IC101 (AN377)
FM IF AMPLIFIER & DETECTOR**
- IC401 (SVINJM4558DS)
2 CHANNEL AF AMPLIFIER**

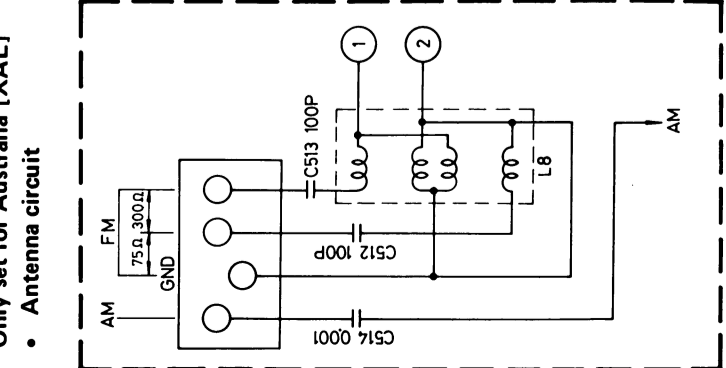
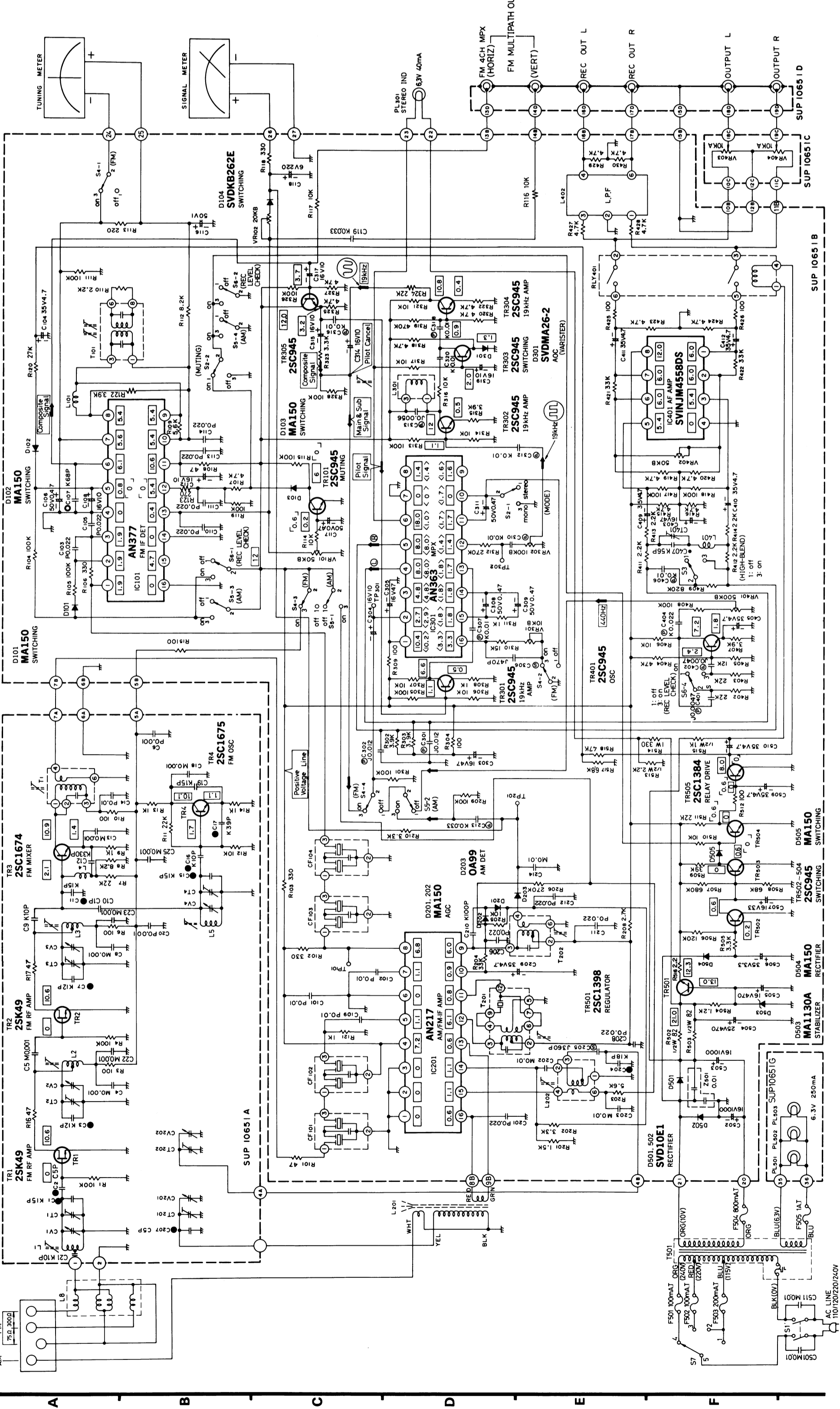
- IC301 (AN363)
FM MULTIPLEX
PLL DEMODULATOR**
- IC201 (AN217)
FM 2 STEPS IF AMPLIFIER
& AM CONVERTER**
- IC101 (AN377)
FM IF AMPLIFIER & DETECTOR**
- IC401 (SVINJM4558DS)
2 CHANNEL AF AMPLIFIER**

- IC301 (AN363)
FM MULTIPLEX
PLL DEMODULATOR**
- IC201 (AN217)
FM 2 STEPS IF AMPLIFIER
& AM CONVERTER**
- IC101 (AN377)
FM IF AMPLIFIER & DETECTOR**
- IC401 (SVINJM4558DS)
2 CHANNEL AF AMPLIFIER**

- IC301 (AN363)
FM MULTIPLEX
PLL DEMODULATOR**
- IC201 (AN217)
FM 2 STEPS IF AMPLIFIER
& AM CONVERTER**
- IC101 (AN377)
FM IF AMPLIFIER & DETECTOR**
- IC401 (SVINJM4558DS)
2 CHANNEL AF AMPLIFIER**

- IC301 (AN363)
FM MULTIPLEX
PLL DEMODULATOR**
- IC201 (AN217)
FM 2 STEPS IF AMPLIFIER
& AM CONVERTER**
- IC101 (AN377)
FM IF AMPLIFIER & DETECTOR**
- IC401 (SVINJM4558DS)
2 CHANNEL AF AMPLIFIER**

- IC301 (AN363)
FM MULTIPLEX
PLL DEMODULATOR**
- IC201 (AN217)
FM 2 STEPS IF AMPLIFIER
& AM CONVERTER**
- IC101 (AN377)
FM IF AMPLIFIER & DETECTOR**
- IC401 (SVINJM4558DS)
2 CHANNEL AF AMPLIFIER**



TERMINAL GUIDE

