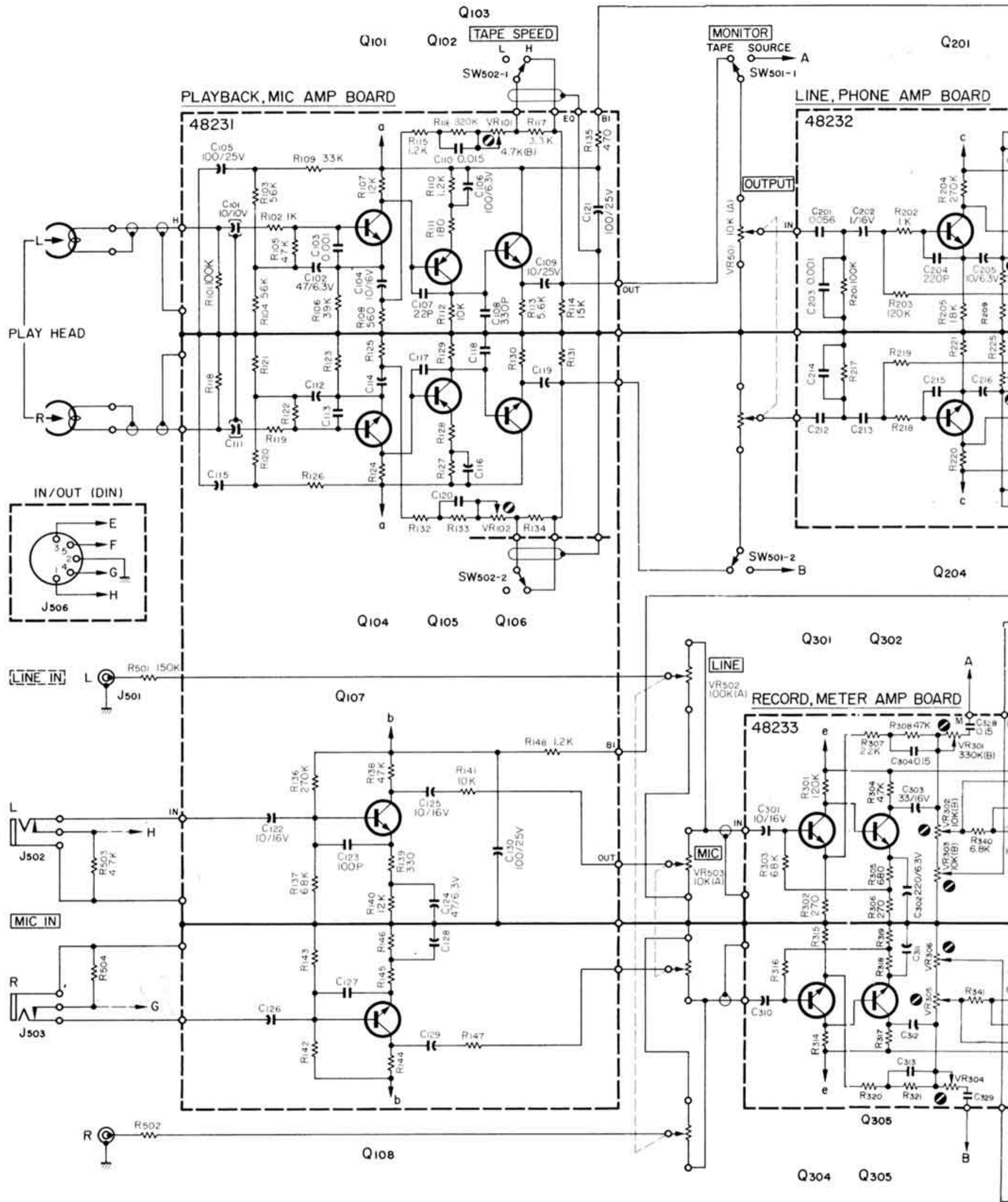


A-1230

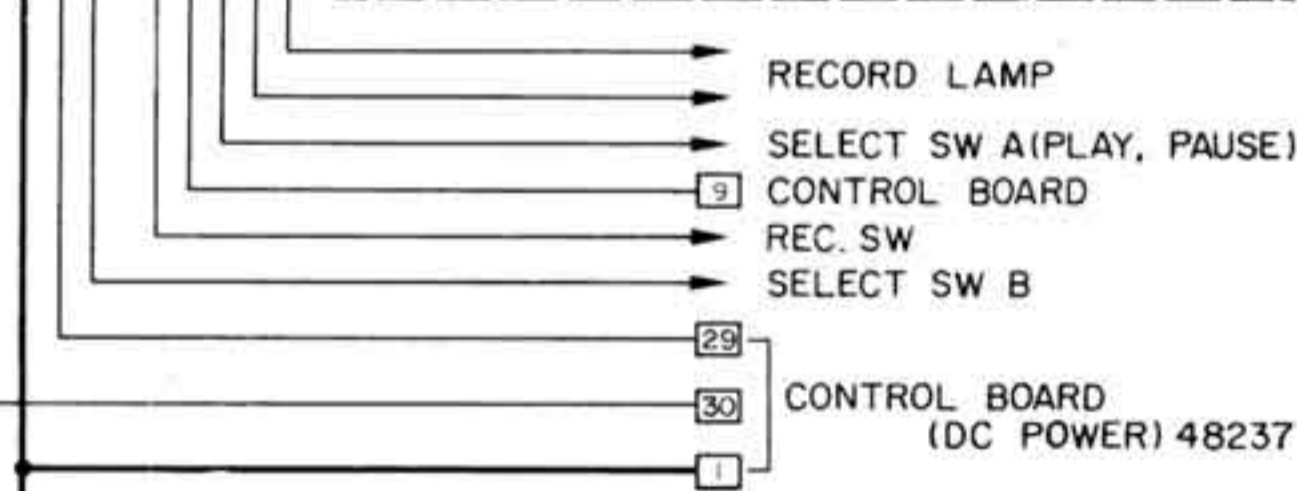
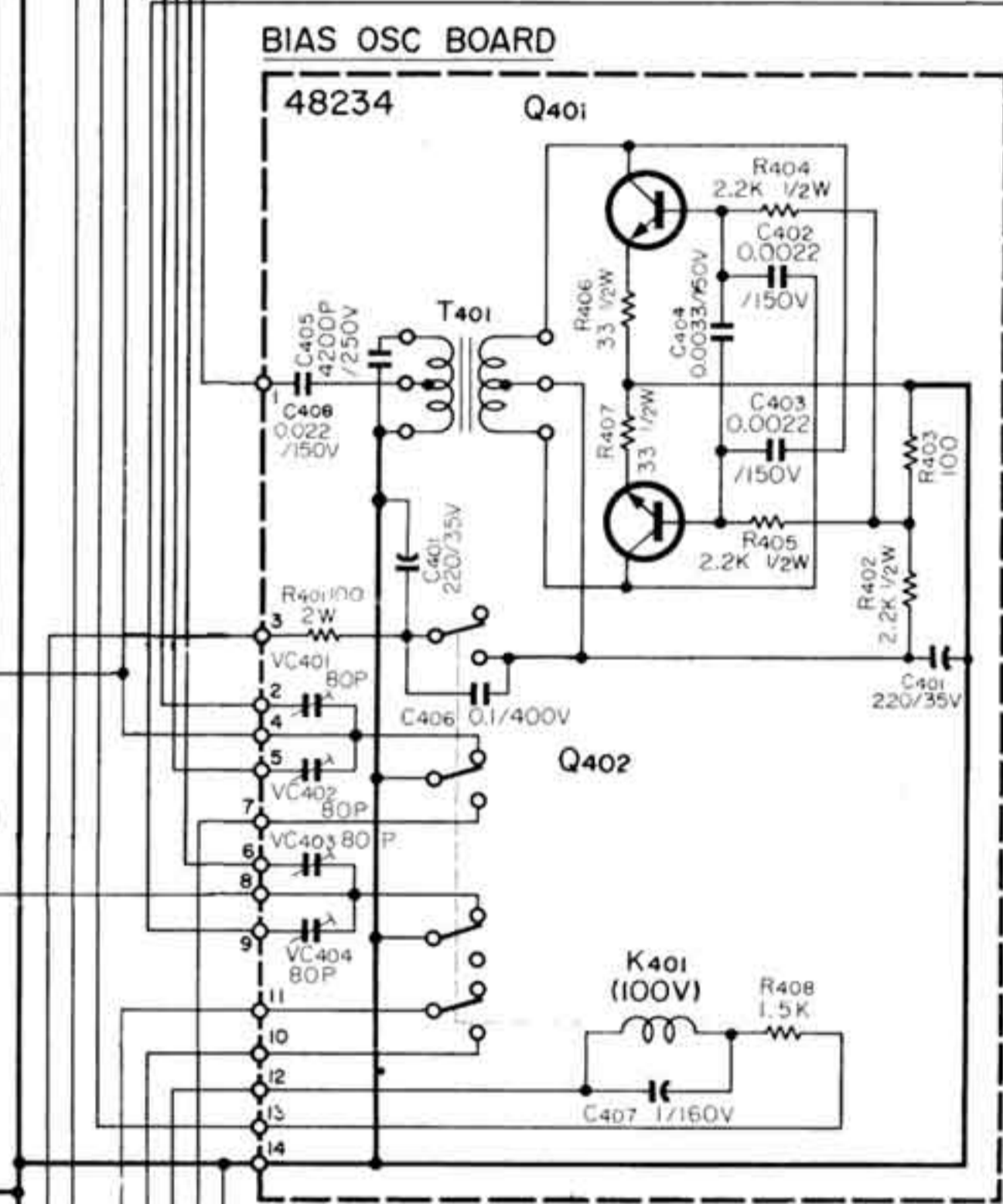
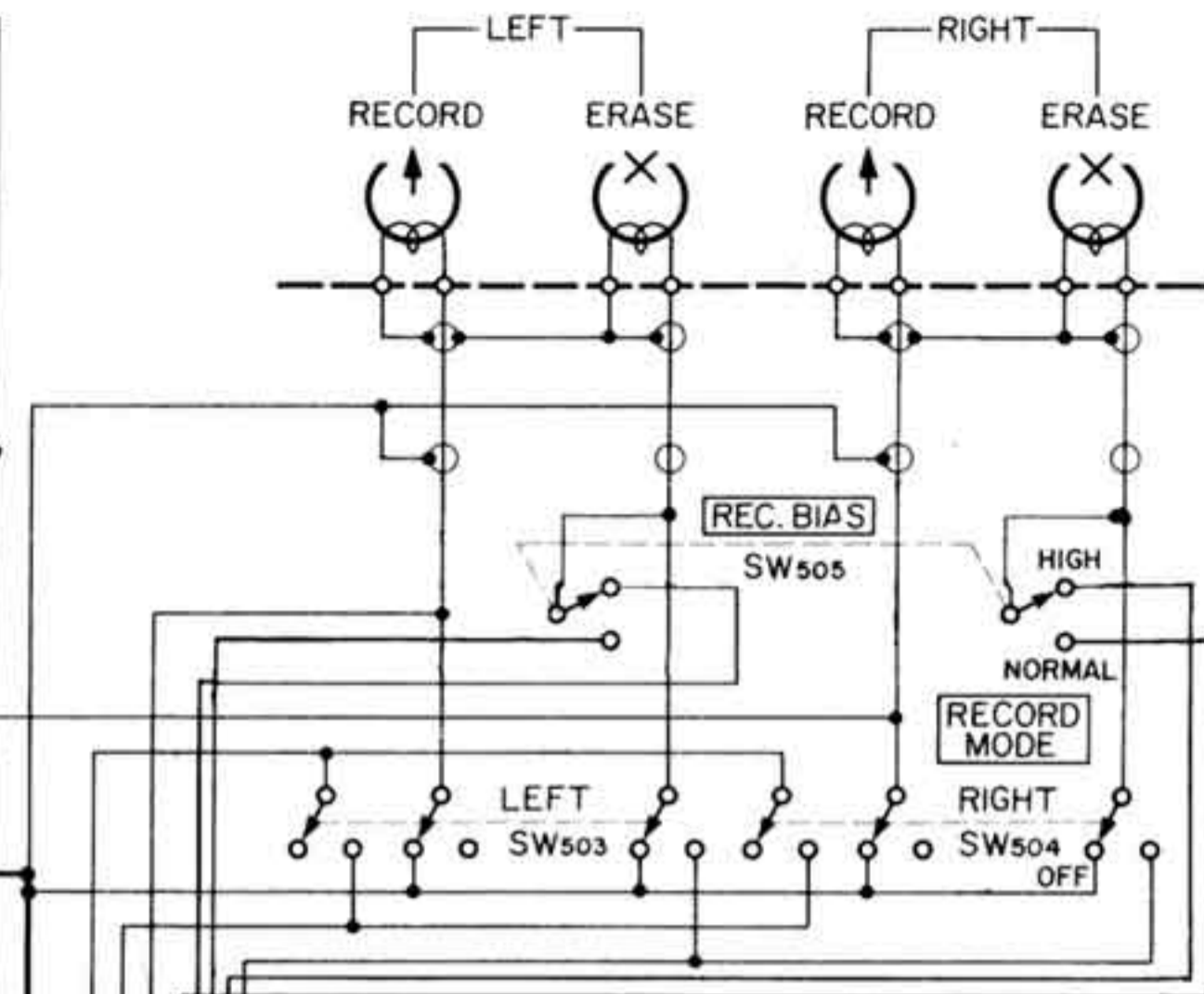
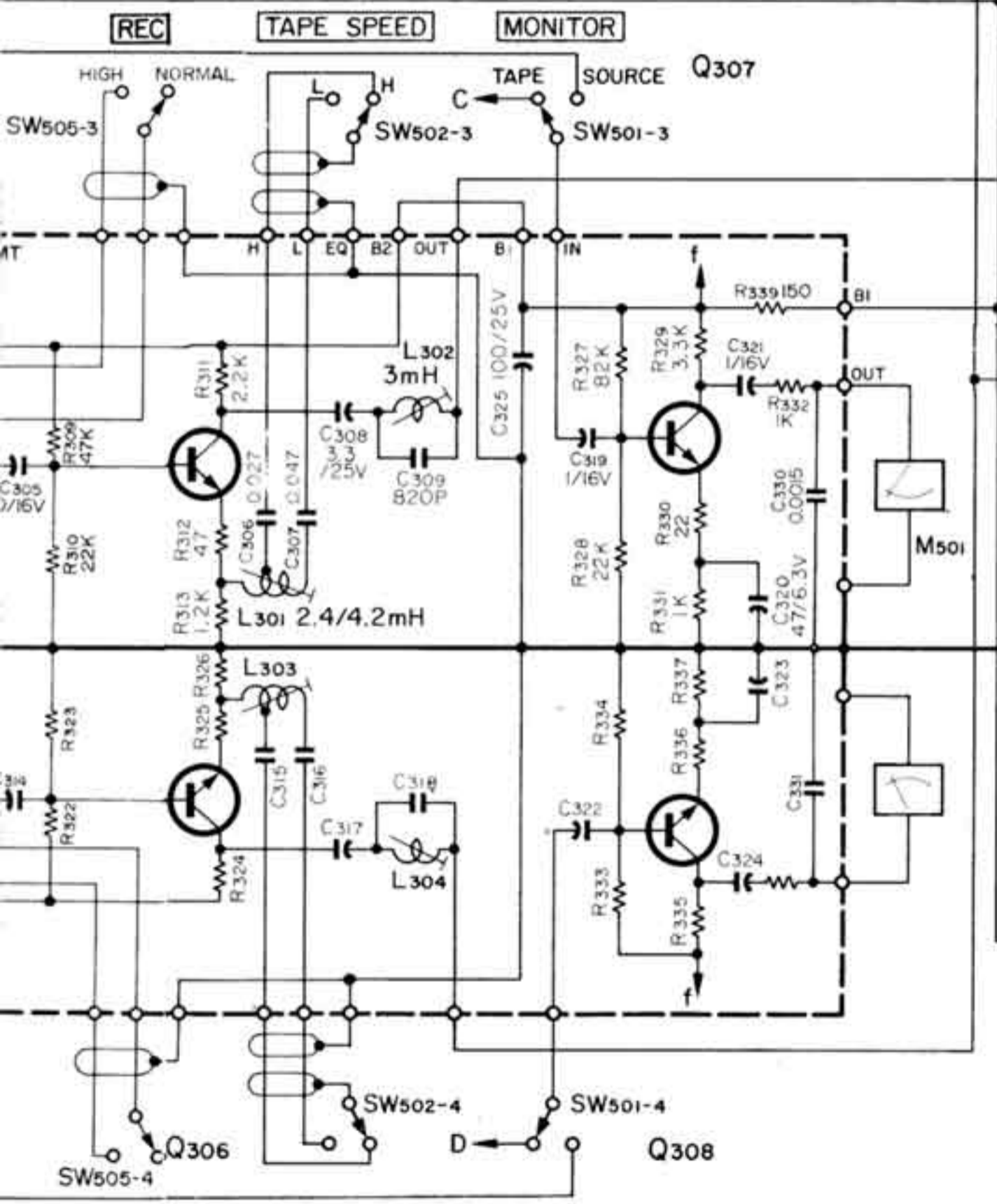
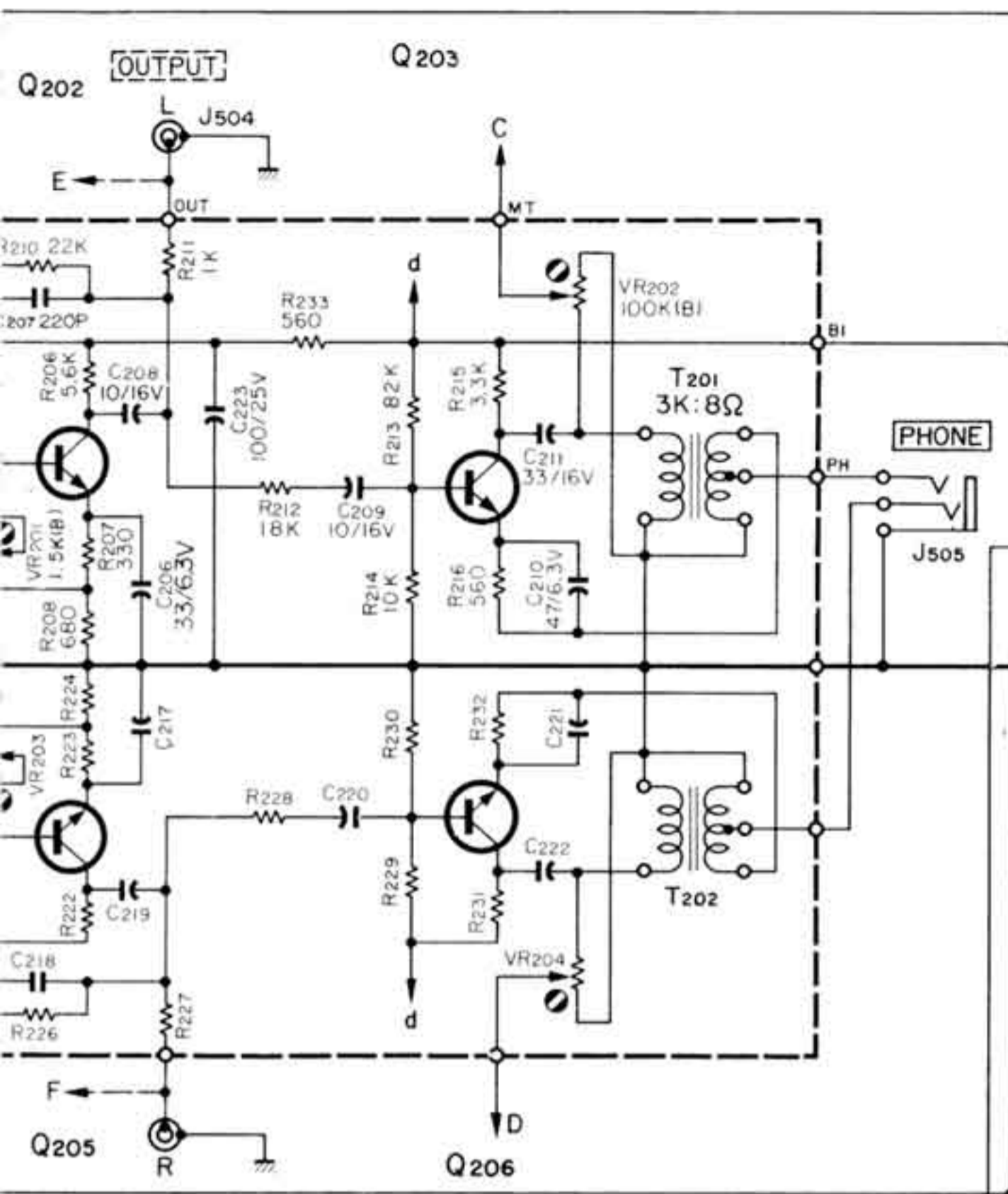
INSTRUCTION MANUAL



TEAC **A-1230**
STEREO TAPE DECK



| CIRCUIT REF. NO. | DESCRIPTION | CIRCUIT REF. NO. | DES |
|------------------|--|------------------|-------------------|
| Q101/104 | 2SC732(BL) or 2SC693(F) or 2SC1000(BL) | Q102/105 | 2SA 2SA 2SA |
| Q103/106 | 2SC536(E) or 2SC733(Y) or 2SC828(S) | Q107/108 | 2SC 2SC 2SC |
| | | Q401/402 | 2SC |



NOTES
 Schematic diagram shown in PLAYBACK mode.
 Unless otherwise specified:
 All resistors values in ohms, 1/4 watt,
 k = 1,000 ohms.
 All capacitors values in micro farads
 Ⓢ Screwdriver adjustment
 □ : on front panel, [] : on rear panel.

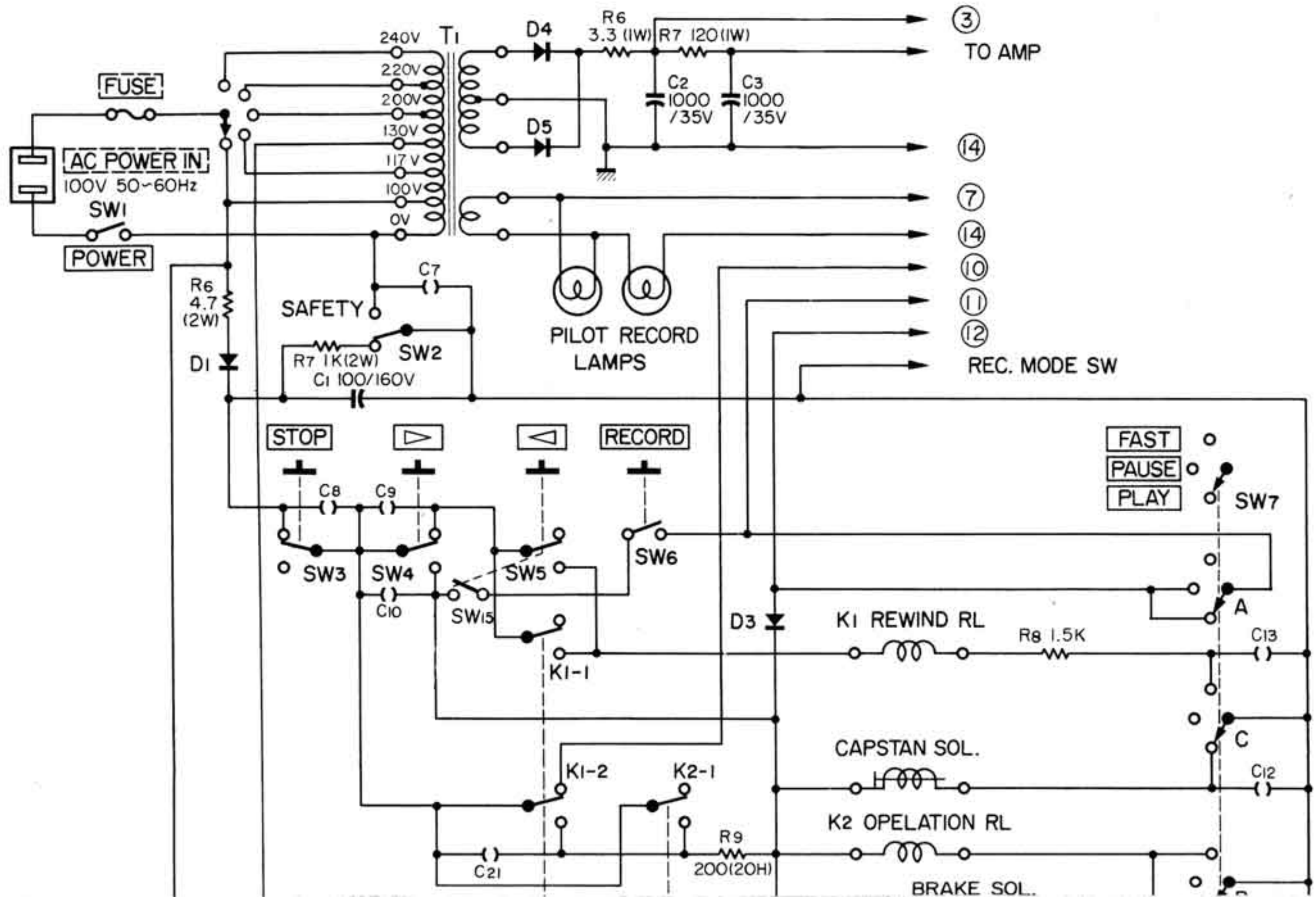
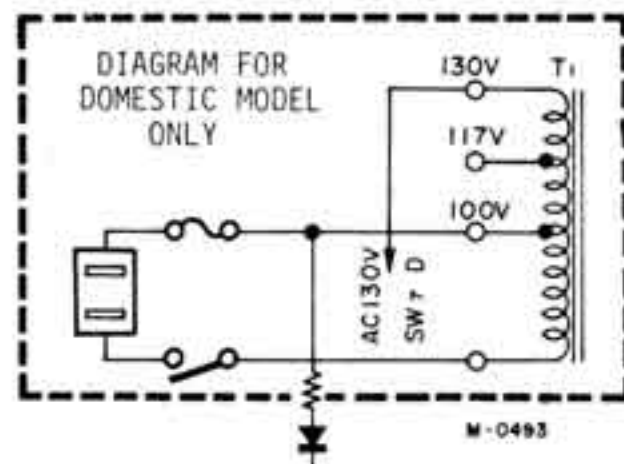
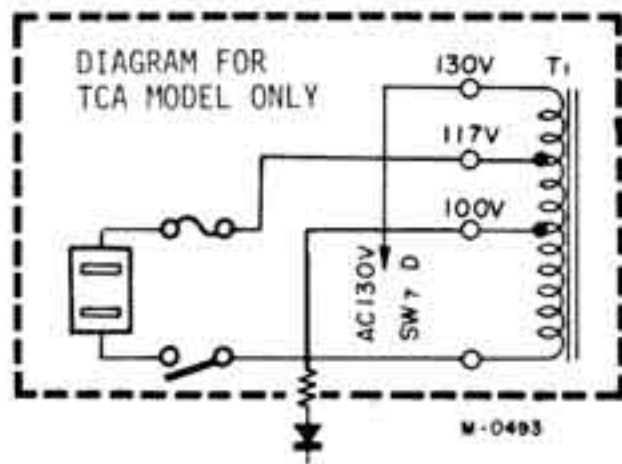
| DESCRIPTION | CIRCUIT REF. NO. | DESCRIPTION |
|--------------------------------|--|---|
| 494 (Y) or 572 or 666 (S) | Q201/204 Q301/304 Q107/108 | 2SC644 (T) or 2SC369 (BL) or 2SC693 (F) |
| 693 (F) or 828 (S) or 969 (BL) | Q203/205 Q204/206 Q307/308 Q302/305 | 2SC372 (Y) or 2SC536 (E) or 2SC828 (S) |
| 971 (Y) | | |

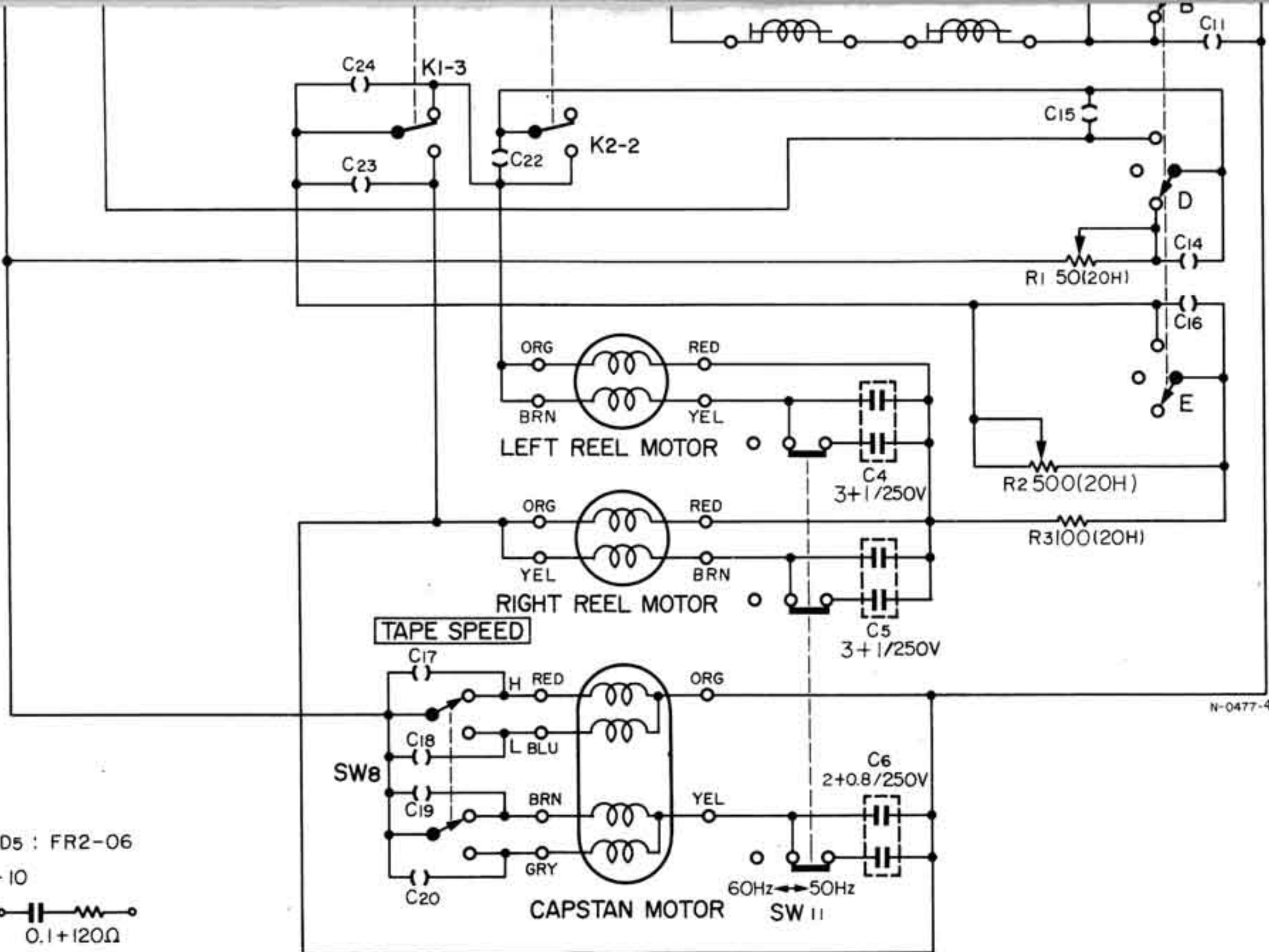
| | | |
|----------|------|------------|
| 6 | . | |
| 5 | . | |
| 4 | . | |
| 3 | . | |
| 2 | . | |
| 1 | 9-72 | |
| REVISION | DATE | CHANGE NO. |

**STEREO TAPE DECK
PREAMPLIFIER**

MODEL NO. **A-1230** SHEET NO. _____

TEAC CORPORATION

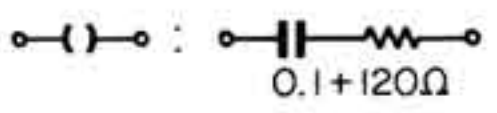




NOTES

D1, D2, D4, D5 : FR2-06

D3 : FR2-10



NOTES

ALL RELAYS SHOWN NOT ENERGIZED (STOP MODE)
 TAPE SPEED SWITCH SHOWN IN THE 7-1/2IPS POSITION
 FREQUENCY CONVERSION SWITCH SHOWN IN THE 50Hz POSITION

| 6 | | | STEREO TAPE DECK TAPE TRANSPORT MODEL NO. A-1230 SHEET NO. TEAC CORPORATION |
|----------|------|------------|--|
| 5 | | | |
| 4 | | | |
| 3 | | | |
| 2 | | | |
| 1 | 9-72 | | |
| REVISION | DATE | CHANGE NO. | |