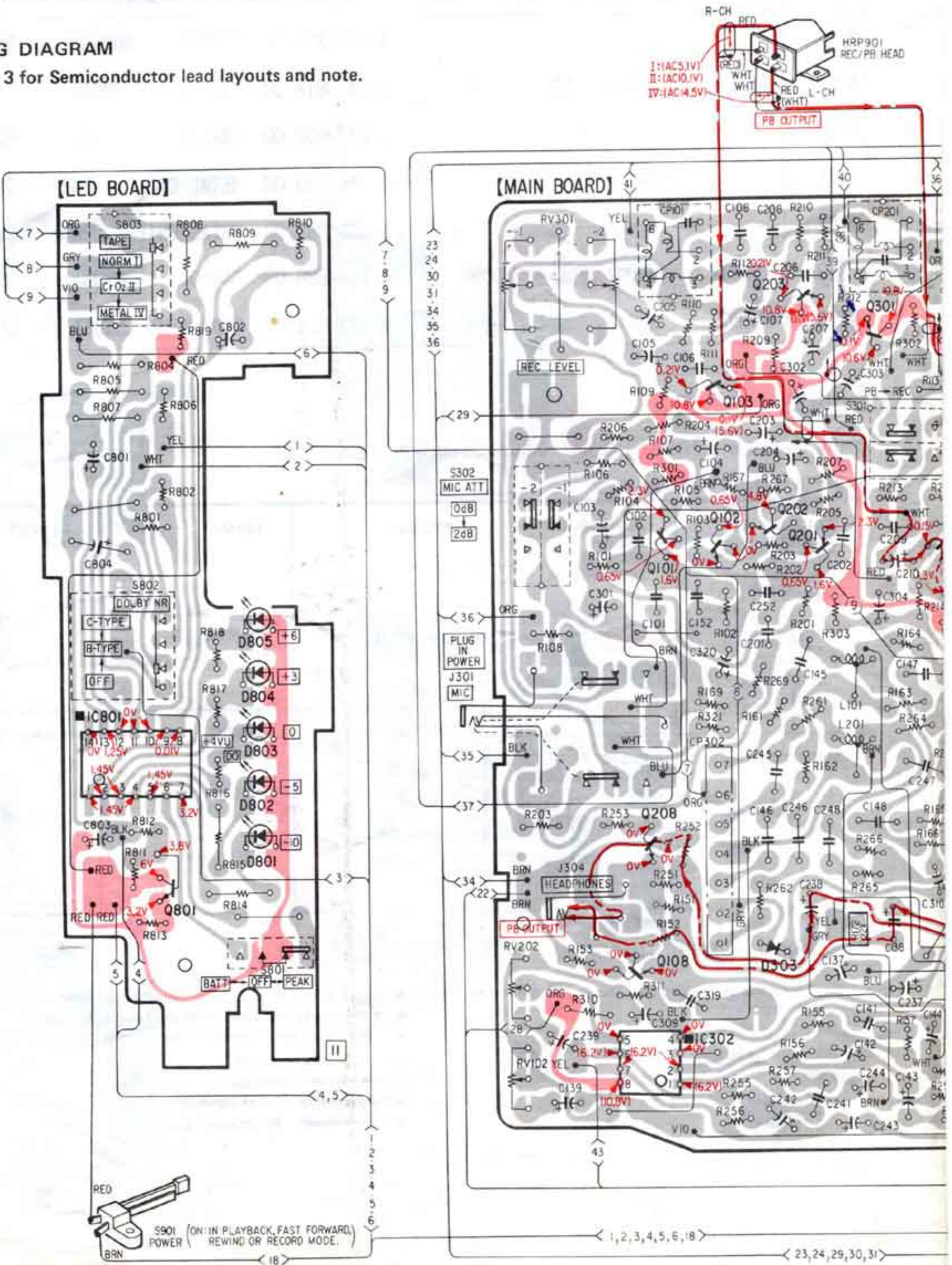
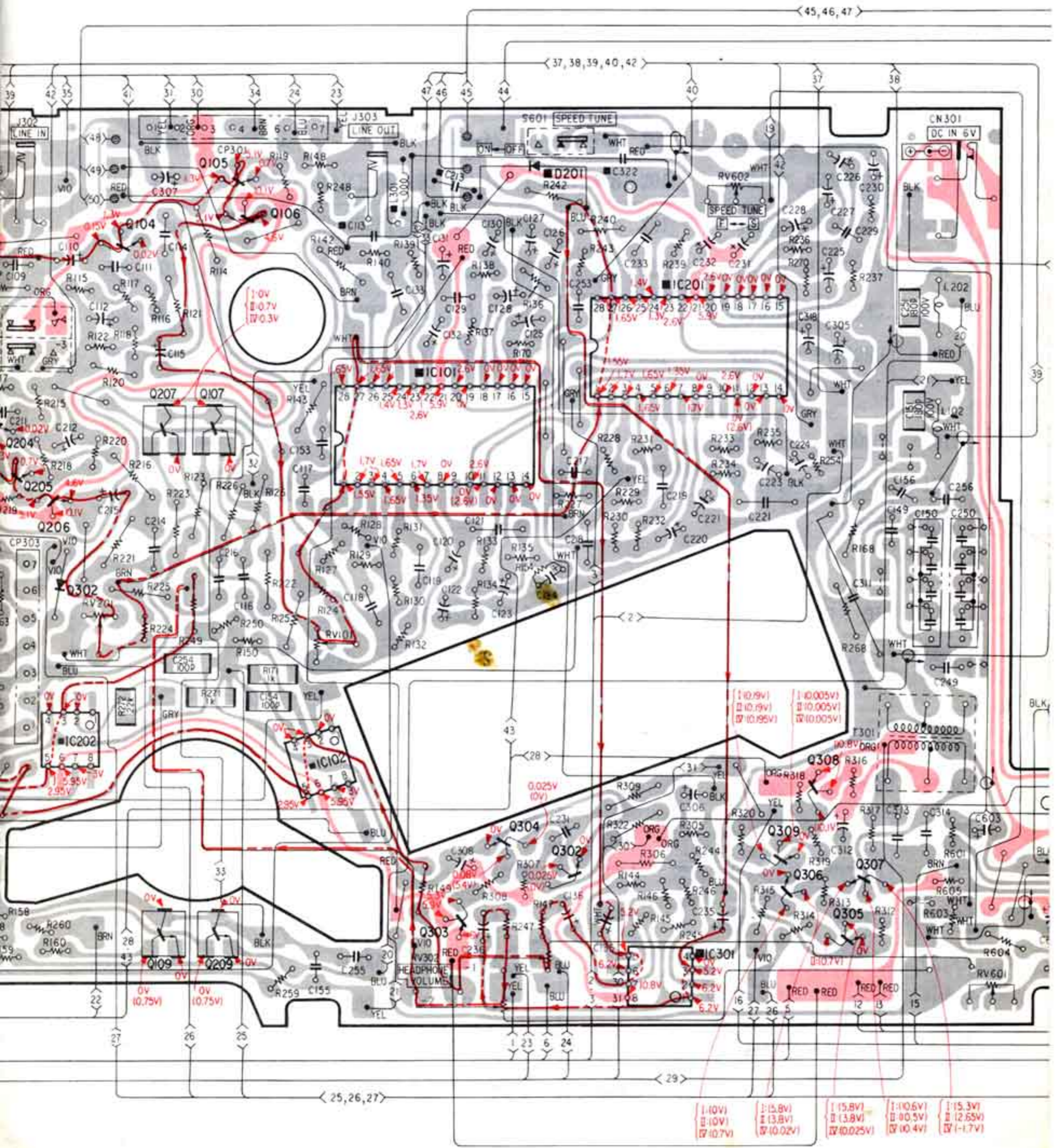


Q			108	208	103	102	203	301	204	
IC	IC801	801			IC302			202	201	
D	805 804 803 802 801							303		

MOUNTING DIAGRAM

See page 3 for Semiconductor lead layouts and note.





[1:10V] [1:15.8V] [1:15.8V] [1:10.6V] [1:15.3V]
 [1:10V] [1:13.8V] [1:3.8V] [1:10.5V] [1:12.65V]
 [1:10.7V] [1:10.02V] [1:10.025V] [1:10.4V] [1:1.7V]

601
IC601

IC701

703

702

704

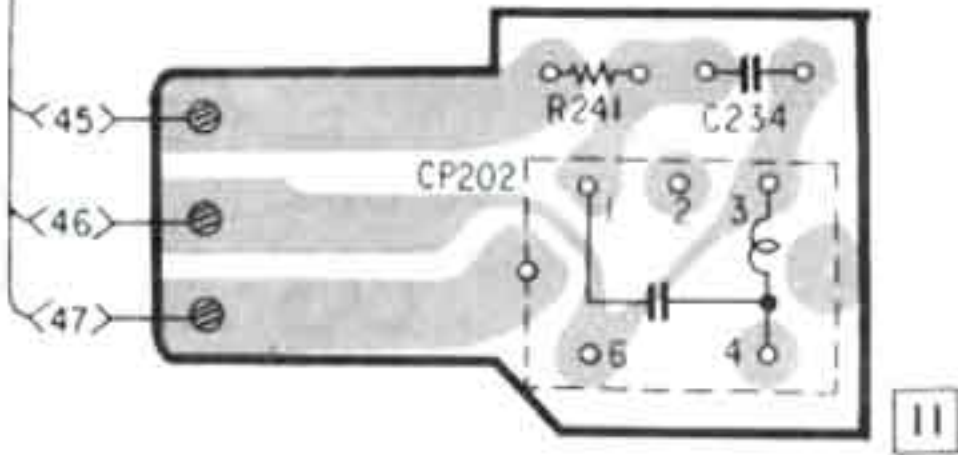
701

Q
IC

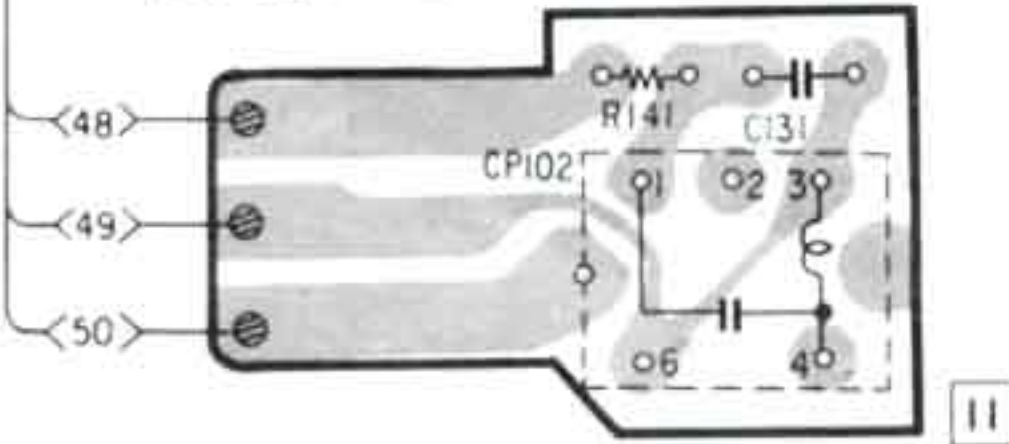
701

D

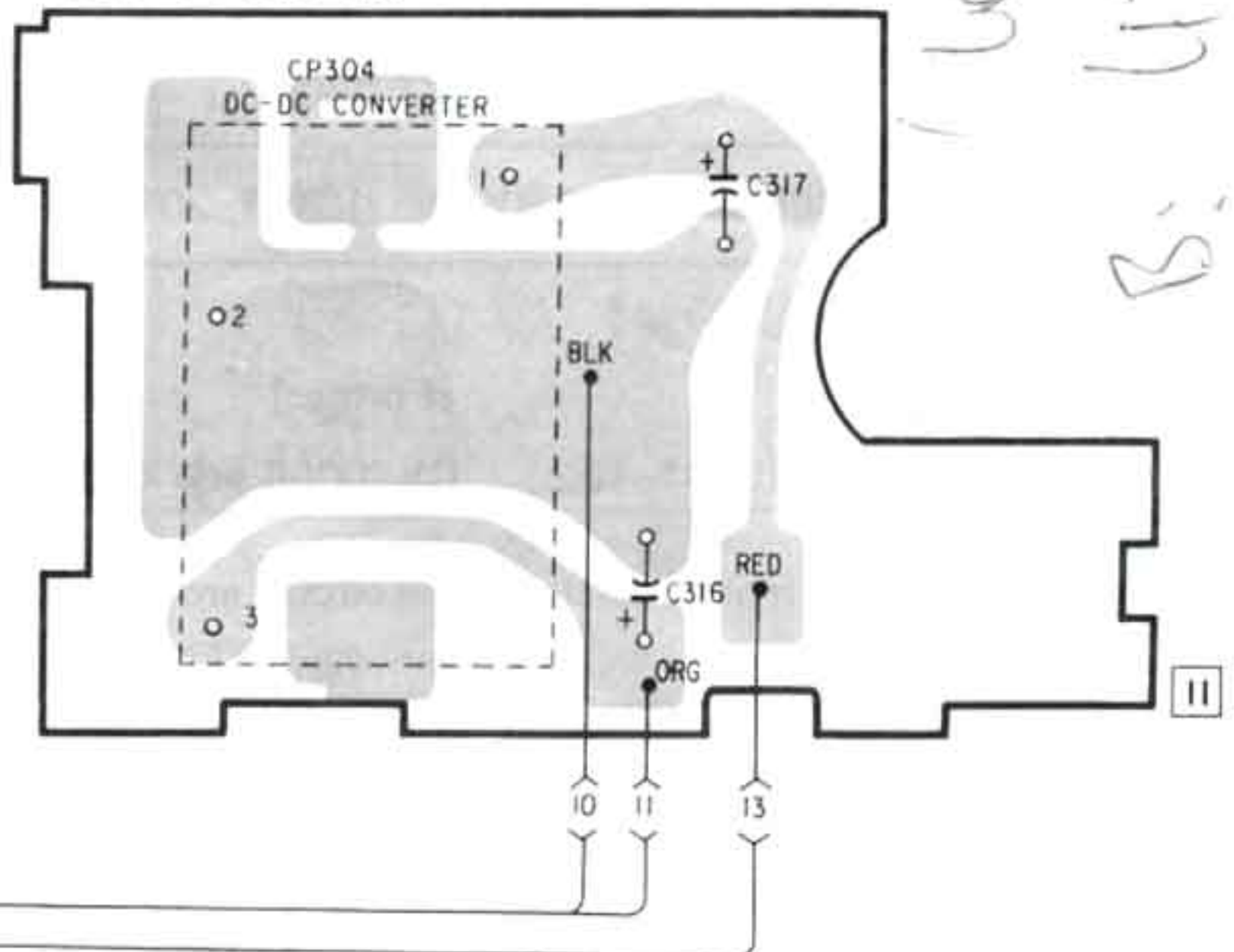
[SPECTRAL SKEWING(R-CH) BOARD]



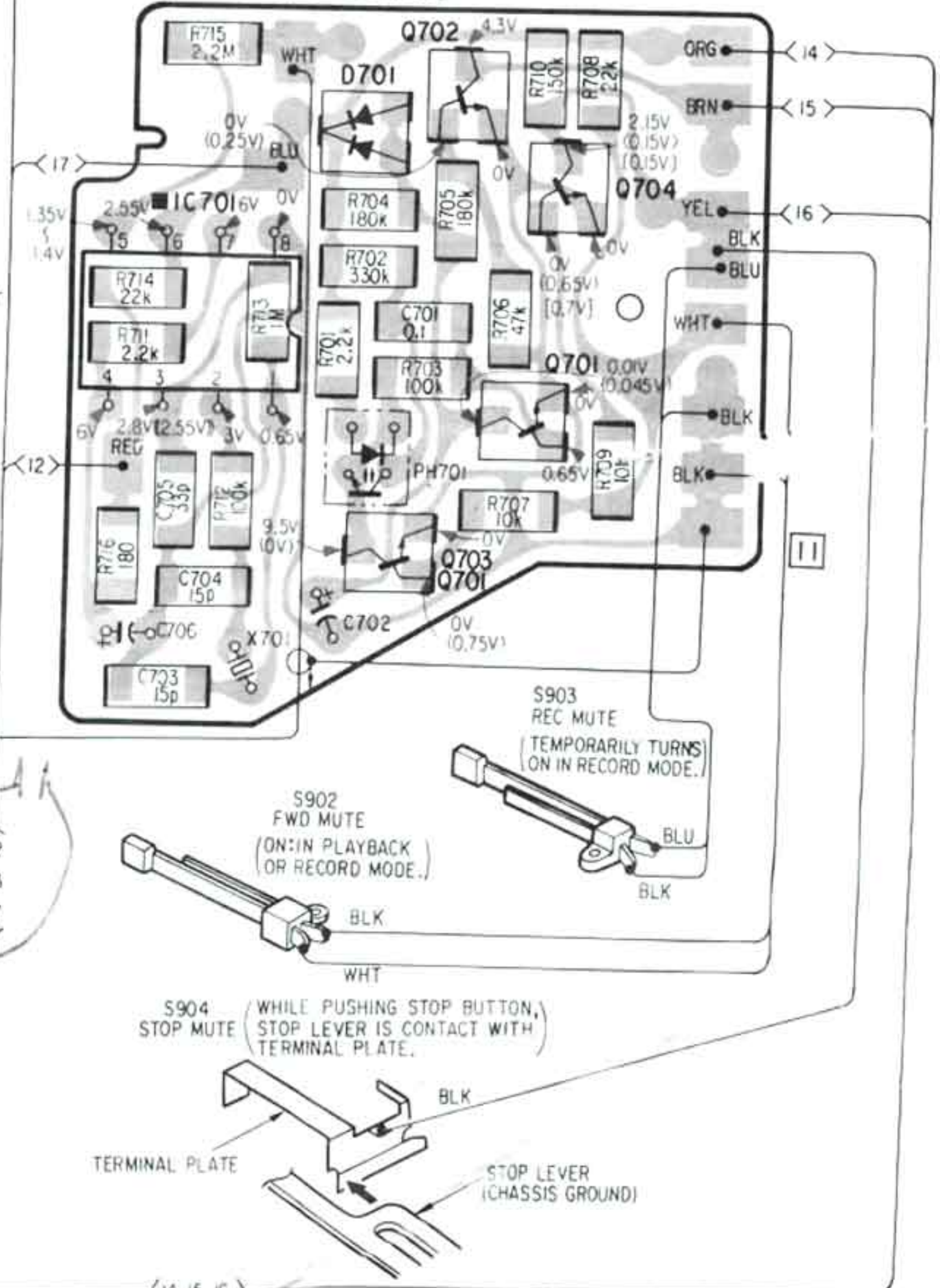
[SPECTRAL SKEWING(L-CH) BOARD]



[DC-DC BOARD]



[AUTO OFF BOARD]



HE901
ERASE HEAD

M901
MOTOR

RECHARGEABLE
BATTERY
PACK BP-23

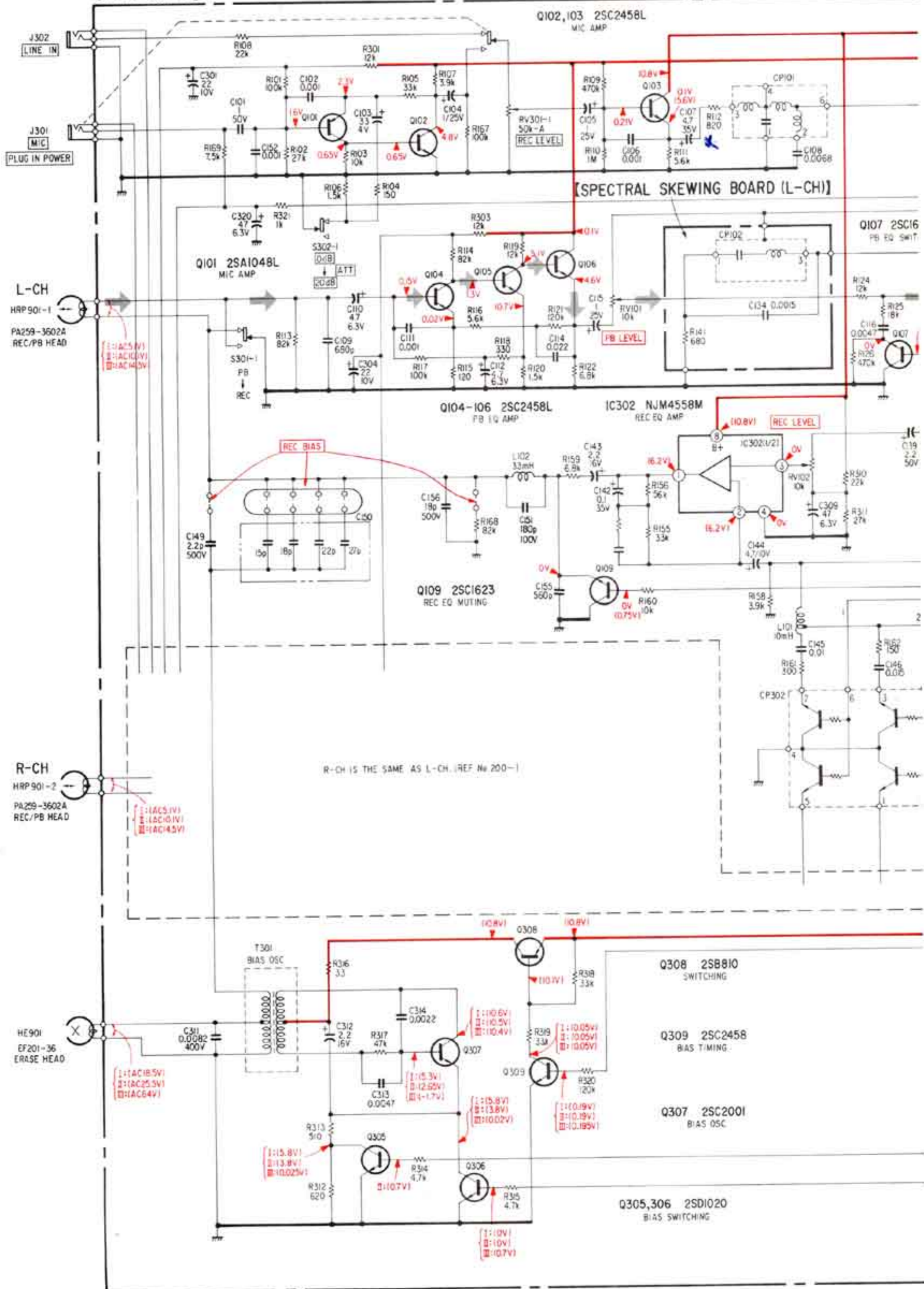
BATTERY
SIZE "AA"
(IEC DESIGNATION R6)
4PC. 6V

IC601

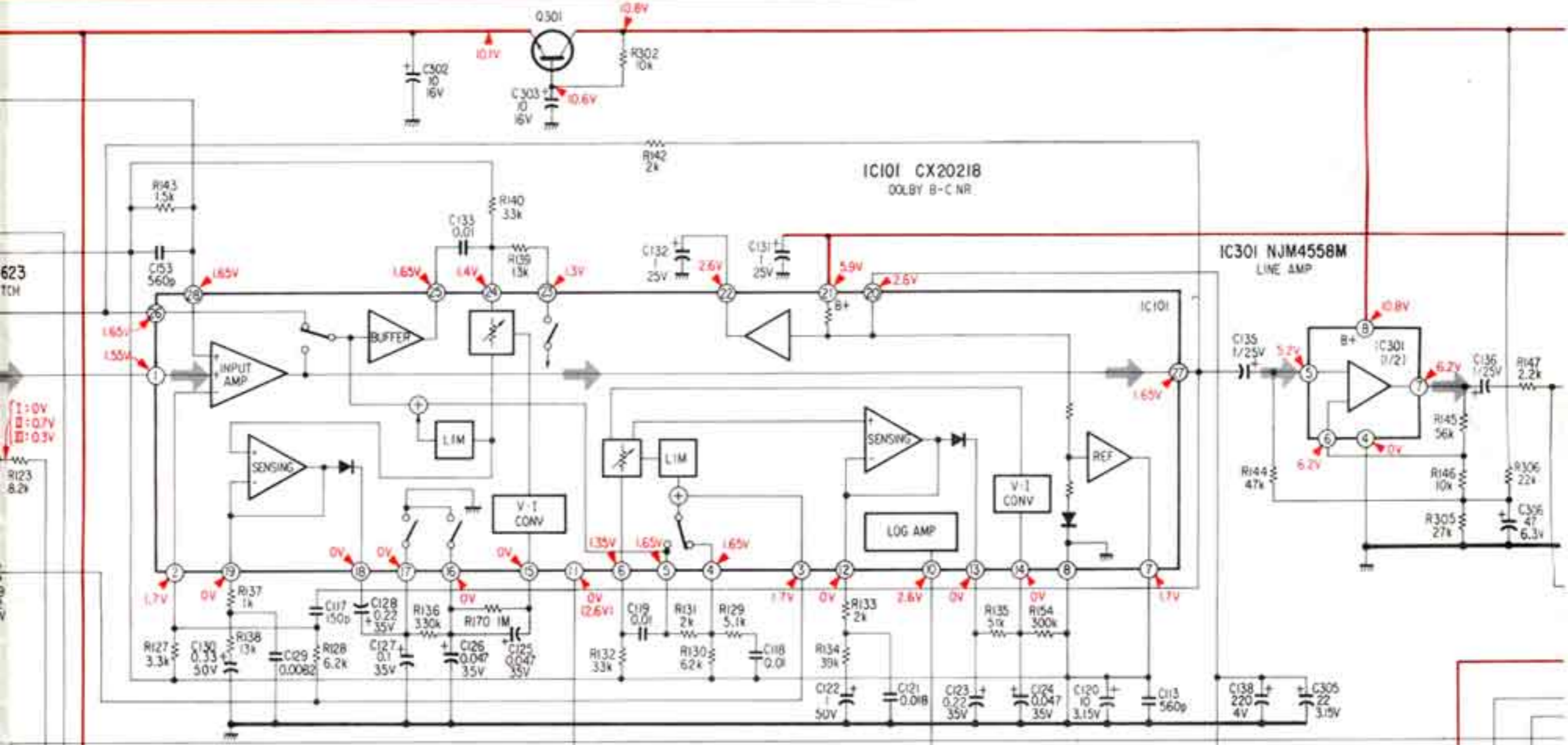
1 0.1V 5.4V 15
2 0.23V 0.185V 4
3 1.3V 0.11V 4
4 1V
5 7.65V 1.25V 12
6 4.4V (1.3V) 11
7 6V (0.2V) 9
8 6V (0.25V) 9

SCHEMATIC DIAGRAM

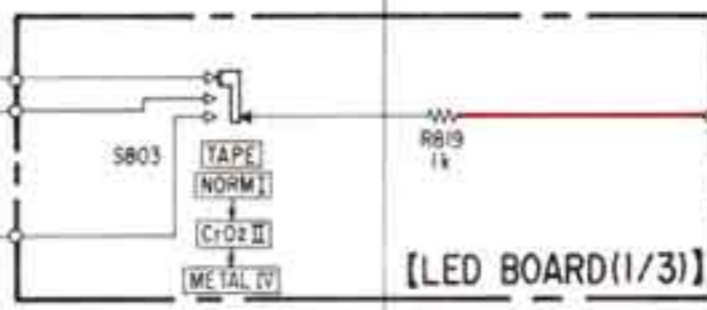
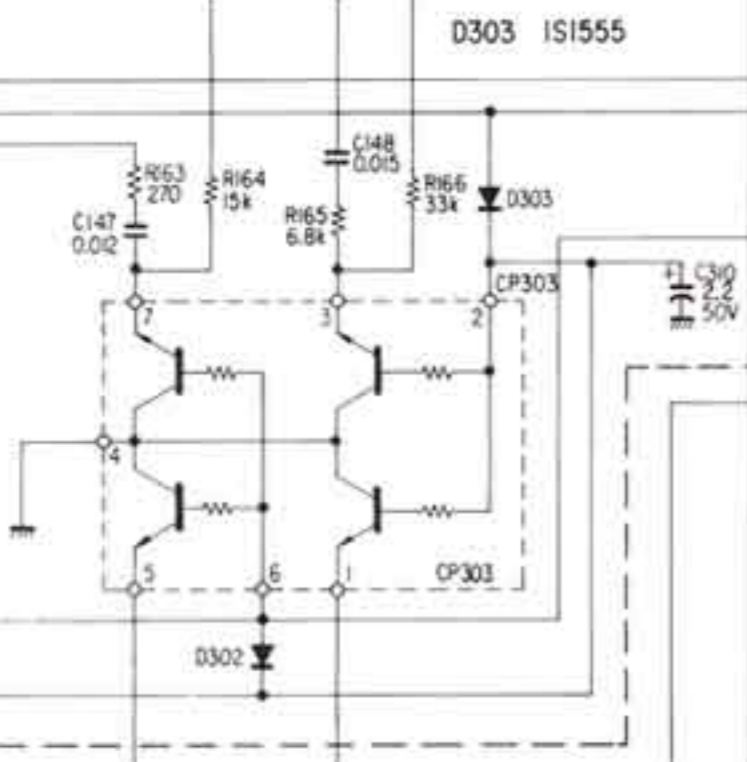
[MAIN BOARD]



Q301 2SC2458
RIPPLE FILTER

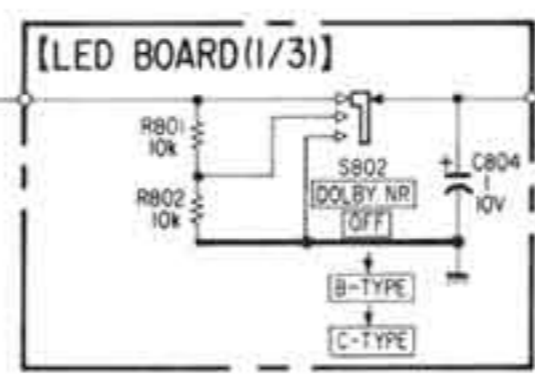
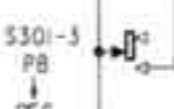


D303 IS1555

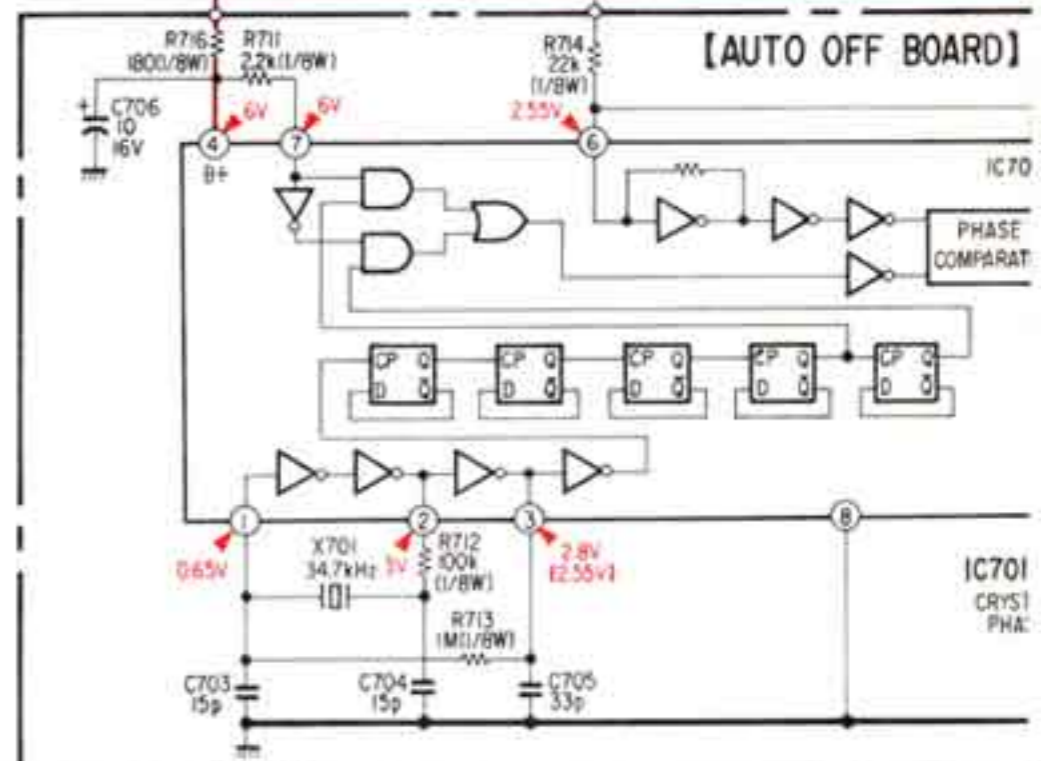


R-CH IS THE SAME AS L-CH (REF No. 200-1)

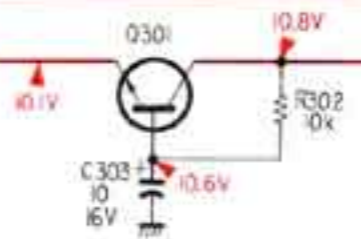
D302 IS1555



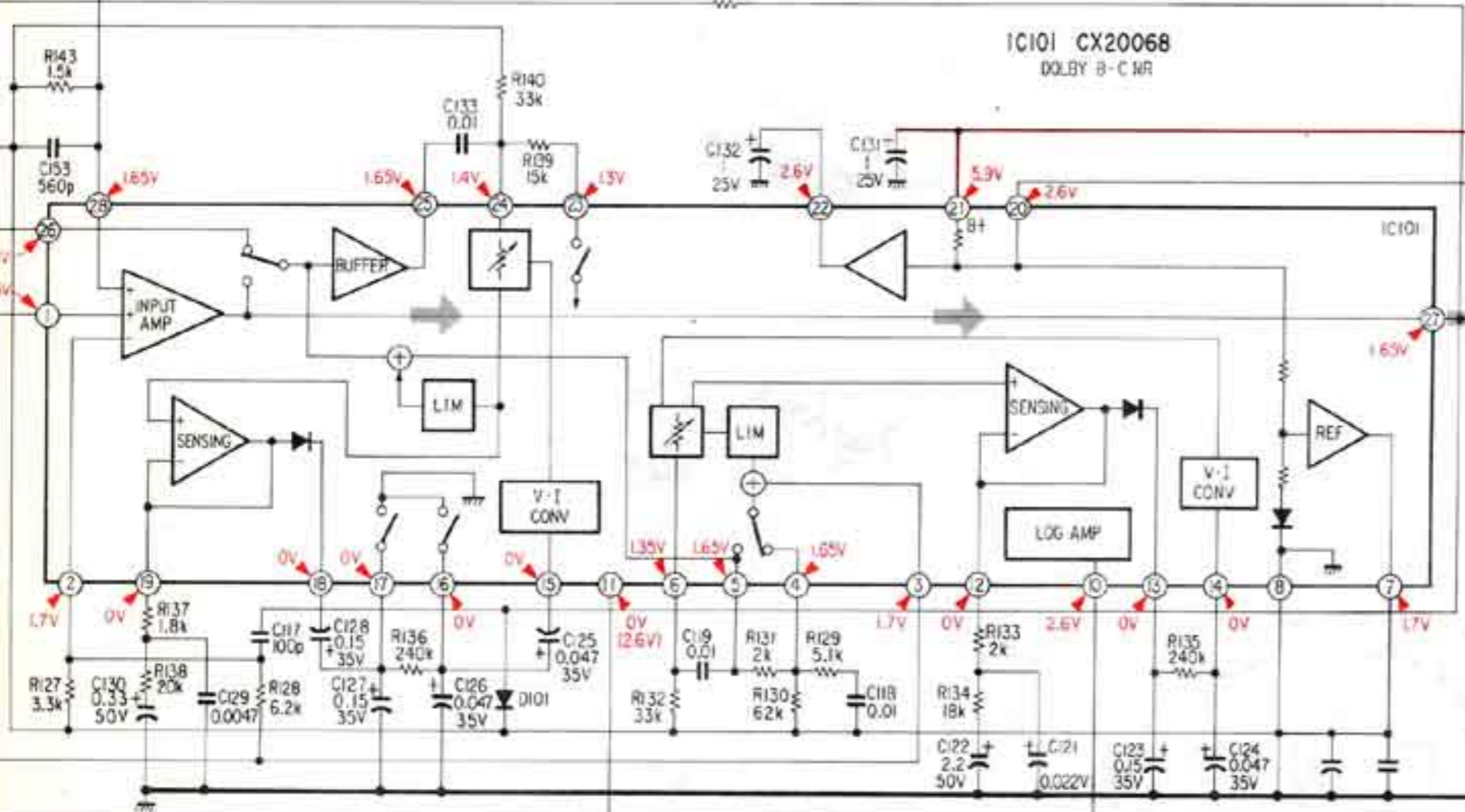
[AUTO OFF BOARD]



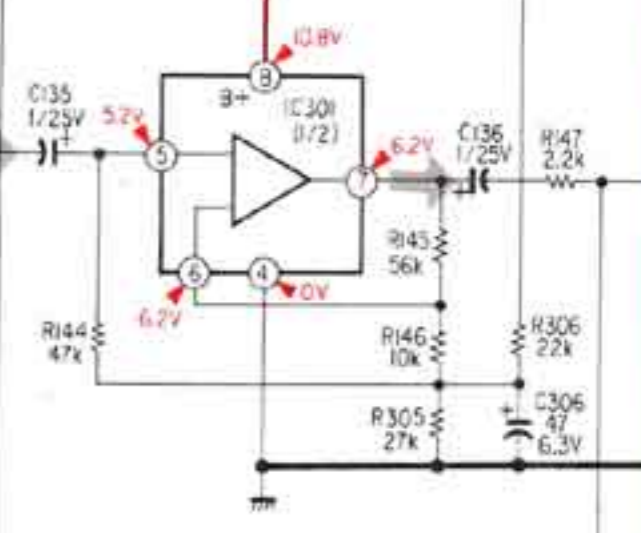
Q301 2SC2458
RIPPLE FILTER



IC101 CX20068
DOLBY B-C NR

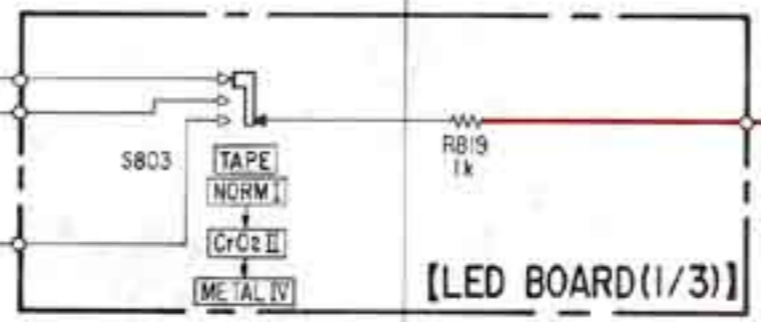
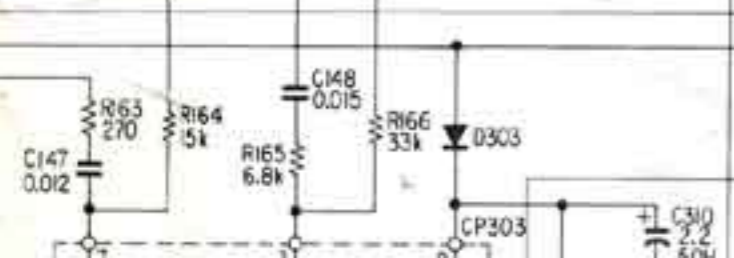


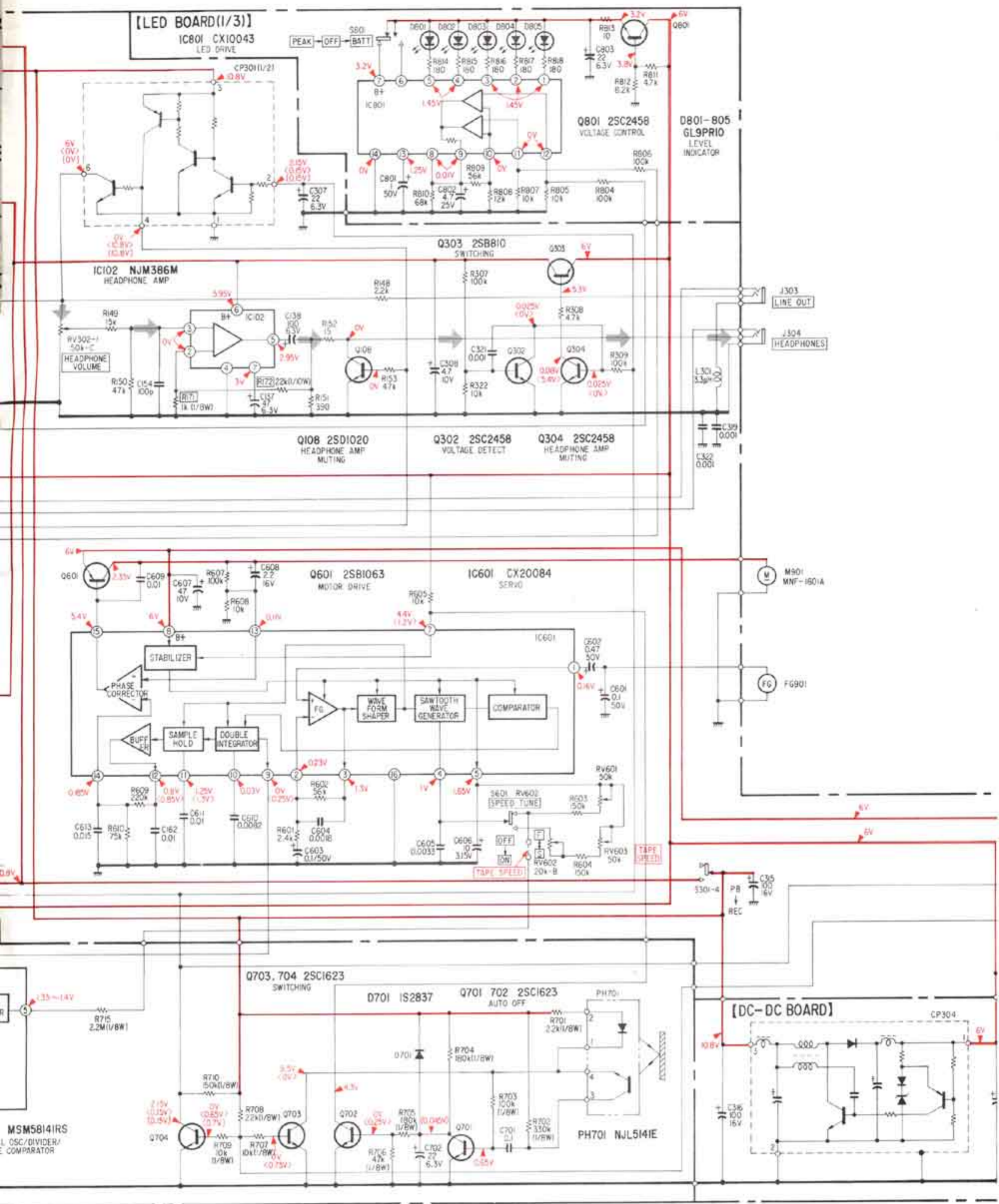
IC301 NJM4558M
LINE AMP



D301 HZ3ALL

D303 ISI555





- Components for right channel have same values as for left channel. Reference numbers are coded from 201.
 - All capacitors are in μF unless otherwise noted. pF: $\mu\mu\text{F}$
50WV or less are not indicated except for electrolytics and tantalums.
 - All resistors are in ohms, $\frac{1}{6}\text{W}$ unless otherwise noted.
 $\text{k}\Omega$: 1000 Ω , $\text{M}\Omega$: 1000 $\text{k}\Omega$
 - \rightarrow : signal path
 - : adjustment for repair.
 - — : B+ bus.
 - Voltages are dc with respect to ground unless otherwise noted.
 - Readings are taken under no-signal conditions.
- | | | |
|--------------------|--------------------|---------------|
| no mark: playback | I: NORM | } TAPE switch |
| () : record | II: CrO_2 | |
| [] : rewind | IV: METAL | |
| < > : fast forward | | |
- $\ll \gg$: pause
 - Voltage variations may be noted due to normal production tolerances.
 - AC voltage readings with a VTVM.
 - Total current is measured with no cassette installed.

Note: Voltages are measured with a VOM (50k Ω /V).

