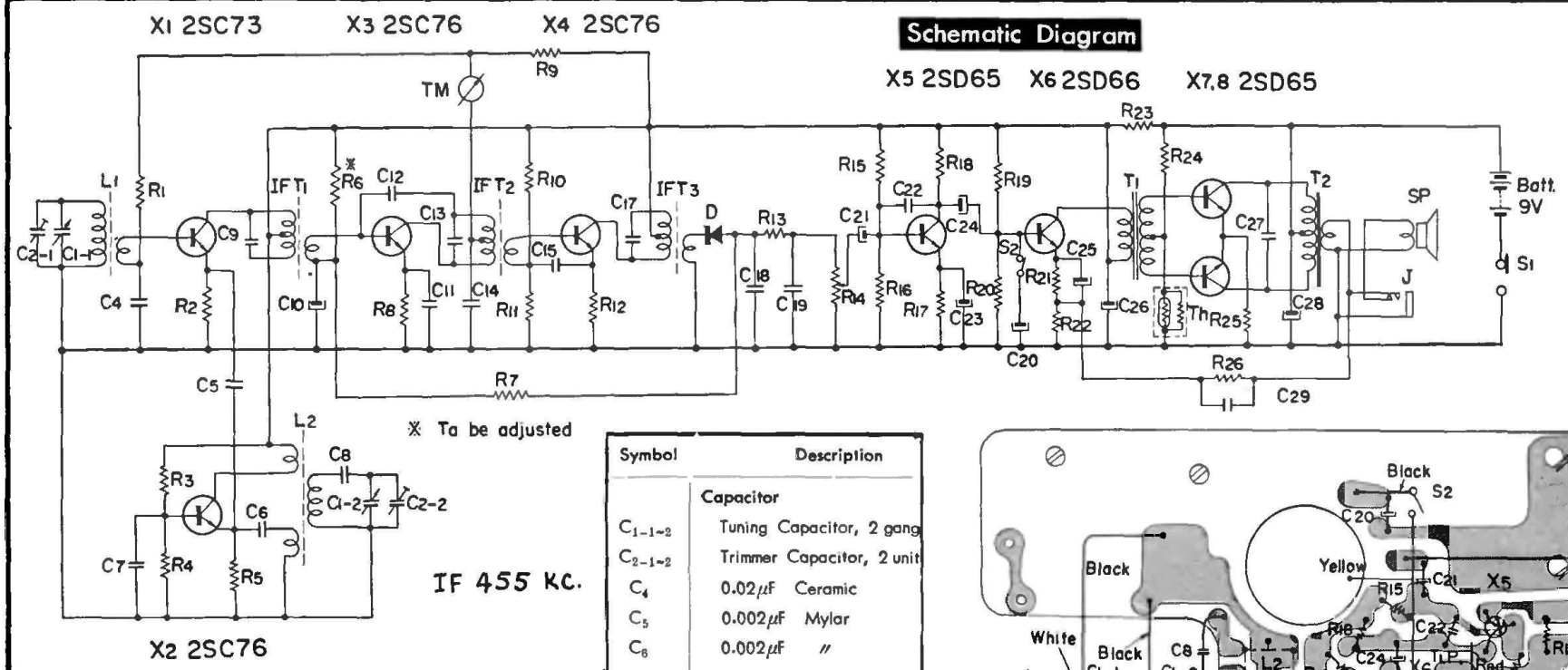


**SONY**

**Schematic Diagram**

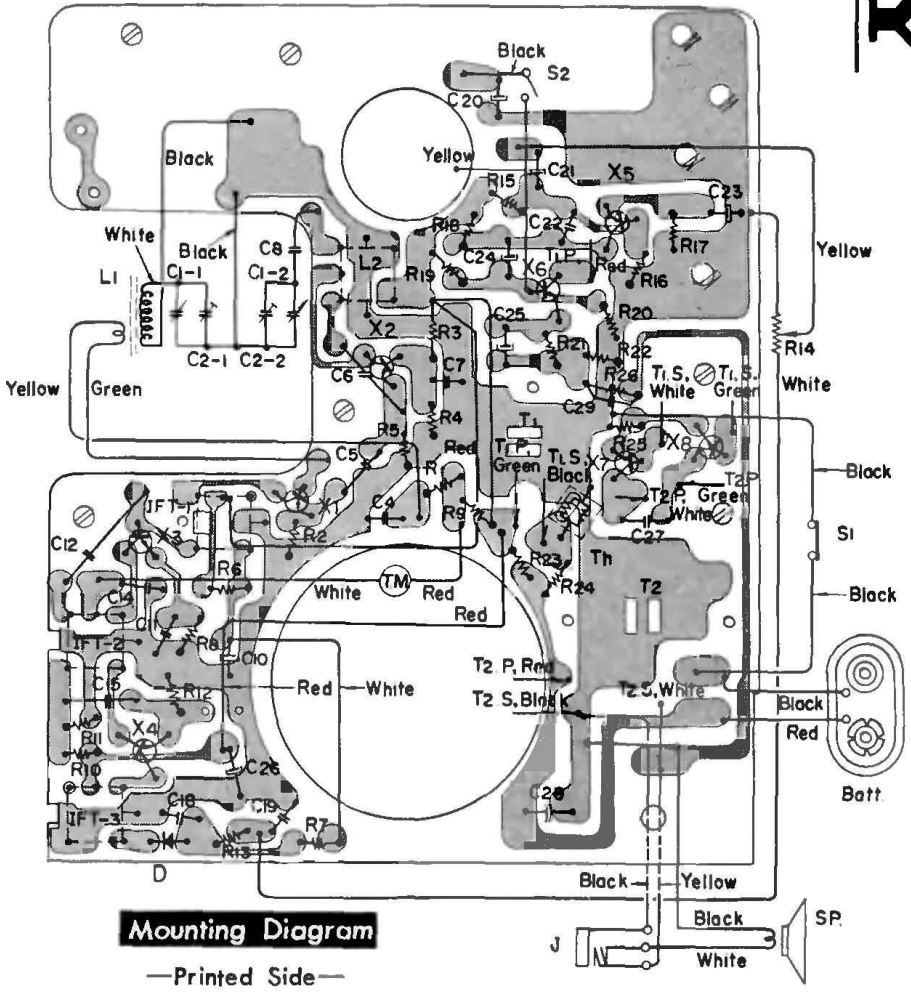


TR-830

Symbol	Description
<b>Capacitor</b>	
C <sub>1-1-2</sub>	Tuning Capacitor, 2 gang
C <sub>2-1-2</sub>	Trimmer Capacitor, 2 unit
C <sub>4</sub>	0.02μF Ceramic
C <sub>5</sub>	0.002μF Mylar
C <sub>6</sub>	0.002μF "
C <sub>7</sub>	0.01μF Ceramic
C <sub>8</sub>	130PF Styrol
C <sub>9</sub>	150PF (built in IFT <sub>1</sub> )
C <sub>10</sub>	10μF 3V Electrolytic
C <sub>11</sub>	0.02μF Ceramic
C <sub>12</sub>	1PF "
C <sub>13</sub>	150PF (built in IFT <sub>2</sub> )
C <sub>14</sub>	0.01μF Ceramic
C <sub>15</sub>	0.01μF "
C <sub>17</sub>	150PF (built in IFT <sub>3</sub> )
C <sub>18</sub>	0.02μF Ceramic
C <sub>19</sub>	0.01μF "
C <sub>20</sub>	0.3μF 15V Electrolytic
C <sub>21</sub>	10μF 3V "
C <sub>22</sub>	0.005μF Mylar
C <sub>23</sub>	10μF 3V Electrolytic
C <sub>24</sub>	10μF 6V "
C <sub>25</sub>	30μF 3V "
C <sub>26</sub>	30μF 10V "
C <sub>27</sub>	0.04μF Ceramic
C <sub>28</sub>	50μF 10V Electrolytic
C <sub>29</sub>	0.02μF Ceramic
<b>Resistor</b>	
R <sub>1</sub>	10KΩ 1/16W Carbon
R <sub>2</sub>	30KΩ " "
R <sub>3</sub>	39KΩ " "
R <sub>4</sub>	5.6KΩ " "
R <sub>5</sub>	2.2KΩ " "
*R <sub>6</sub>	120KΩ " "
R <sub>7</sub>	5.6KΩ " "
R <sub>8</sub>	470Ω 1/16W Carbon
R <sub>9</sub>	10KΩ " "
R <sub>10</sub>	39KΩ " "
R <sub>11</sub>	3.3KΩ " "
R <sub>12</sub>	470Ω " "
R <sub>13</sub>	1.8KΩ " "
R <sub>14</sub>	5KΩ Volume Control
R <sub>15</sub>	36KΩ 1/16W Carbon
R <sub>16</sub>	5.6KΩ " "
R <sub>17</sub>	1KΩ " "
R <sub>18</sub>	1KΩ " "
R <sub>19</sub>	27KΩ " "
R <sub>20</sub>	10KΩ " "
R <sub>21</sub>	1KΩ " "
R <sub>22</sub>	10Ω " "
R <sub>23</sub>	220Ω " "
R <sub>24</sub>	7.5KΩ " "
R <sub>25</sub>	10Ω " "
R <sub>26</sub>	680Ω " "

IF 455 KC.

\* To be adjusted



**Mounting Diagram**

—Printed Side—

Symbol	Description	Symbol	Description
X <sub>1</sub>	Transistor 2SC73	R <sub>8</sub>	470Ω 1/16W Carbon
X <sub>2</sub>	" 2SC76	R <sub>9</sub>	10KΩ " "
X <sub>3</sub>	" 2SC76	R <sub>10</sub>	39KΩ " "
X <sub>4</sub>	" 2SC76	R <sub>11</sub>	3.3KΩ " "
X <sub>5</sub>	" 2SD65	R <sub>12</sub>	470Ω " "
X <sub>6</sub>	" 2SD66	R <sub>13</sub>	1.8KΩ " "
X <sub>7</sub>	" 2SD65	R <sub>14</sub>	5KΩ Volume Control
X <sub>8</sub>	" 2SD65	R <sub>15</sub>	36KΩ 1/16W Carbon
D	Diode 1T23G	R <sub>16</sub>	5.6KΩ " "
Th	Thermistor CS-120	R <sub>17</sub>	1KΩ " "
<b>Resistor</b>		R <sub>18</sub>	1KΩ " "
R <sub>1</sub>	10KΩ 1/16W Carbon	R <sub>19</sub>	27KΩ " "
R <sub>2</sub>	30KΩ " "	R <sub>20</sub>	10KΩ " "
R <sub>3</sub>	39KΩ " "	R <sub>21</sub>	1KΩ " "
R <sub>4</sub>	5.6KΩ " "	R <sub>22</sub>	10Ω " "
R <sub>5</sub>	2.2KΩ " "	R <sub>23</sub>	220Ω " "
*R <sub>6</sub>	120KΩ " "	R <sub>24</sub>	7.5KΩ " "
R <sub>7</sub>	5.6KΩ " "	R <sub>25</sub>	10Ω " "
		R <sub>26</sub>	680Ω " "