

# TA-E1000ESD

## SONY<sup>®</sup> SERVICE MANUAL

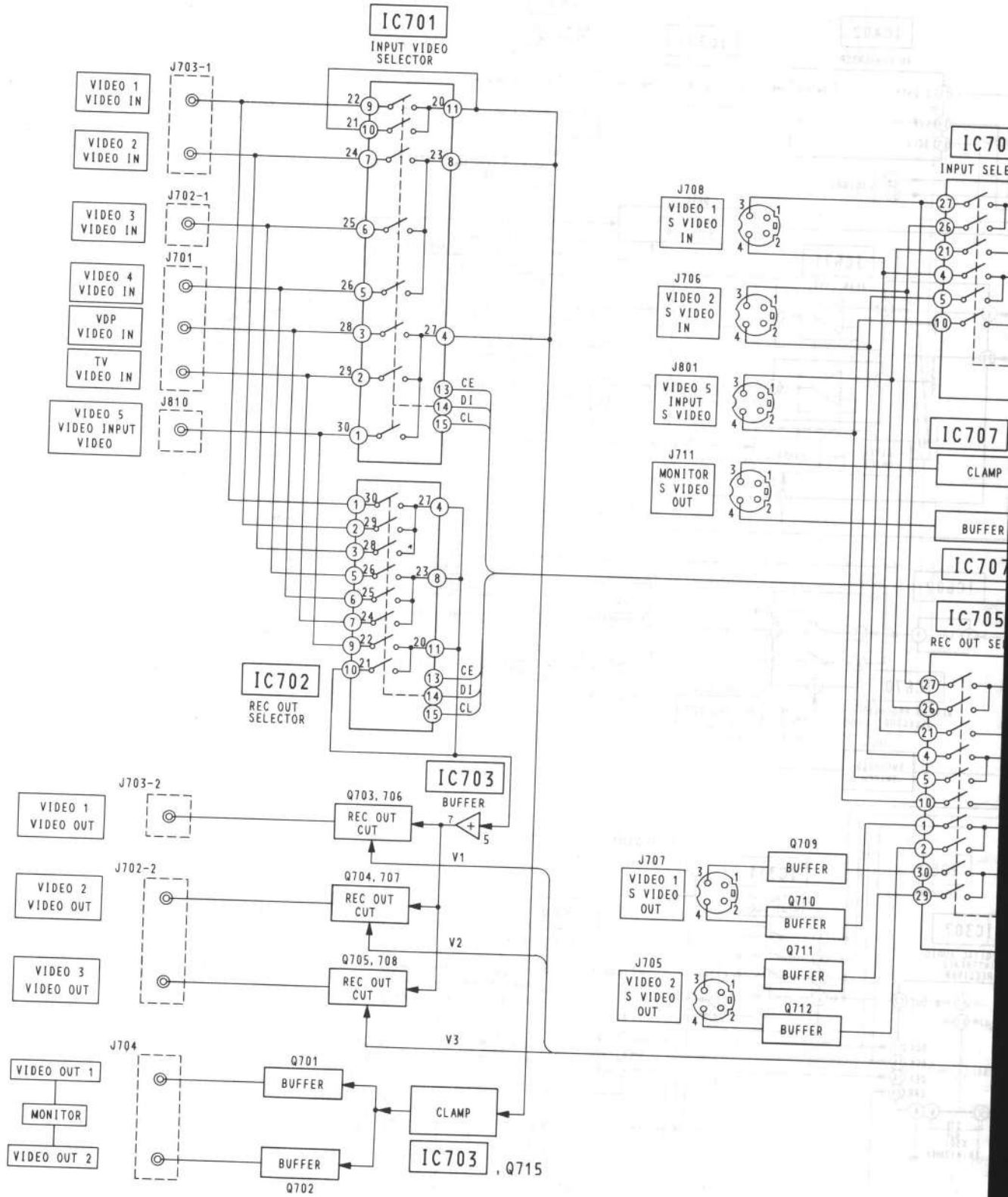
*US Model  
Canadian Model  
AEP Model  
UK Model  
E Model*

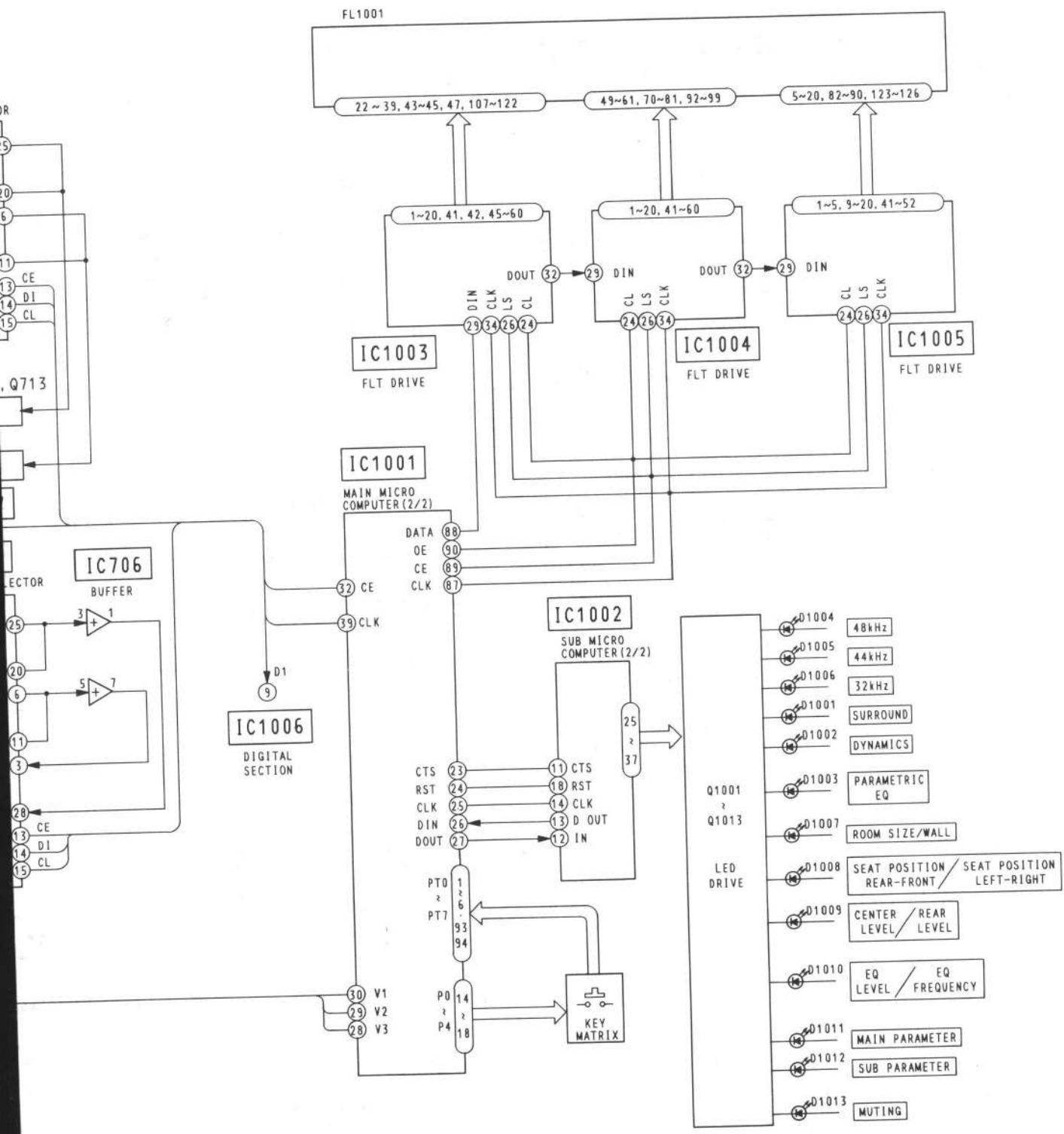
### SUPPLEMENT-1

**SUBJECT : BLOCK DIAGRAMS**

File this supplement with the Service Manual.

3-11. BLOCK DIAGRAM —VIDEO/DISPLAY SECTION—





9-955-519-82

Sony Corporation  
Audio Group

English  
89K0473-1  
Printed in Japan  
©1989.11  
Published by Customer Relations and Service Group

### 3-10. BLOCK DIAGRAM —DIGITAL SECTION—

