

STUDER REVOX

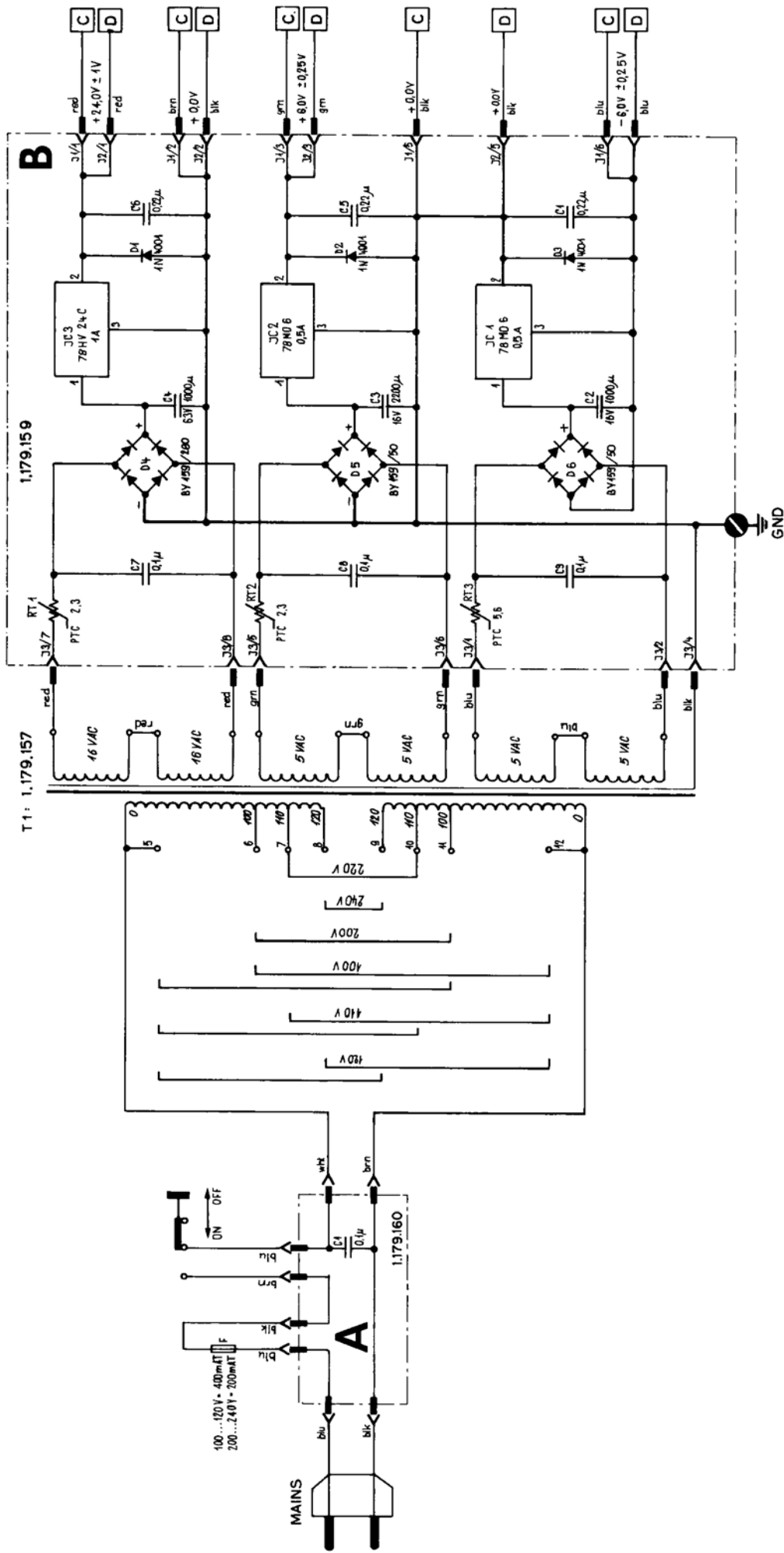
B 790

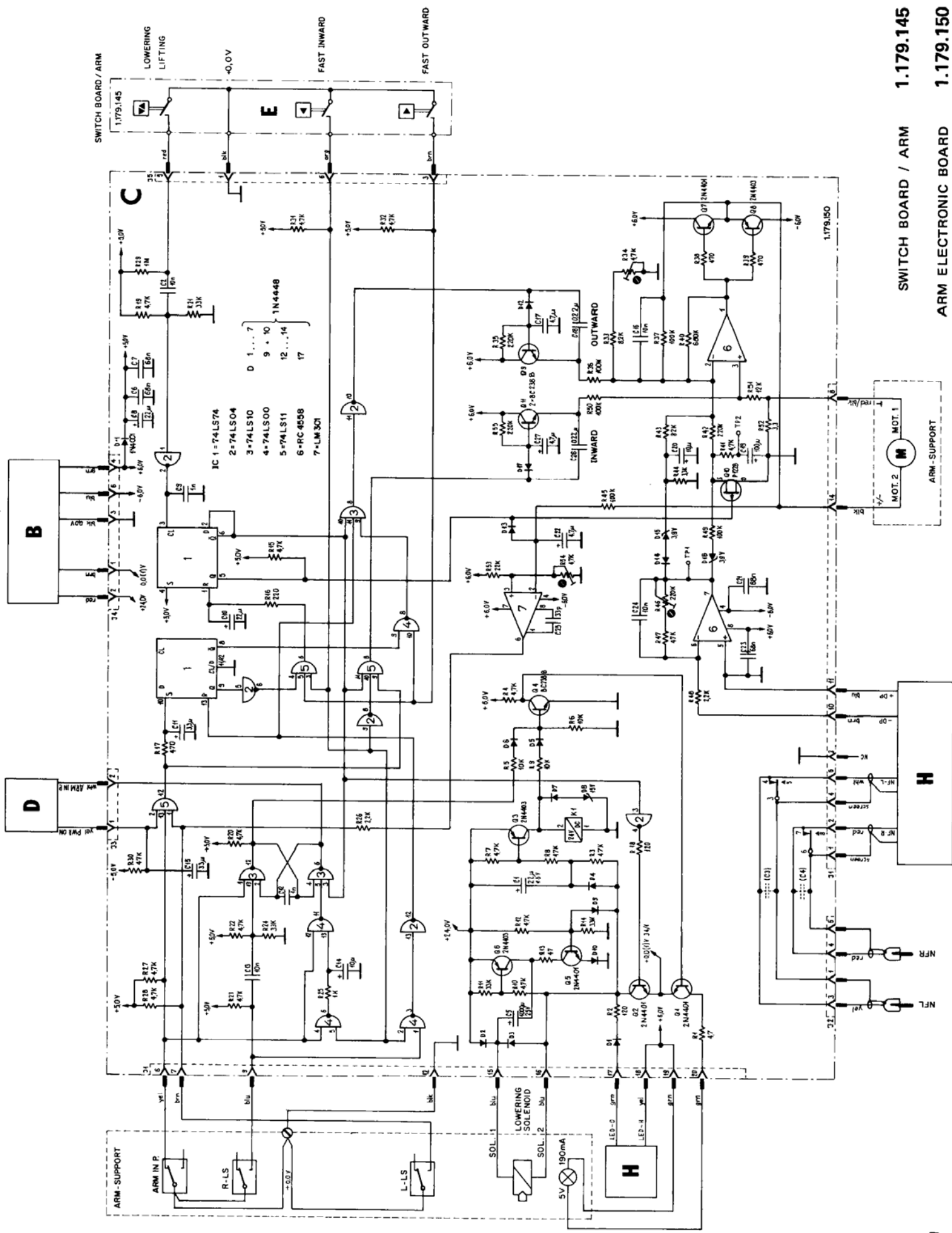
**SET OF SCHEMATICS
SCHALTUNGSSAMMLUNG
RECUEIL DE SCHEMAS**

Änderungen vorbehalten
Sous réserve de modification
Subject to change

DIAGRAMS LIST

A	MAINS CONNECTION BOARD	1.179.160	PAGE 4
B	POWER SUPPLY	1.179.159	PAGE 4
C	ARM ELECTRONIC BOARD	1.179.150	PAGE 5
D	MOTOR CONTROL BOARD	1.179.152	PAGE 6 / 7
E	SWITCH BOARD / ARM	1.179.145	PAGE 5
F	DISPLAY BOARD	1.179.146	PAGE 7
G	SWITCH BOARD / SPEED	1.179.145	PAGE 6
H	PICKUP SUPPORT	1.179.116	PAGE 8
I	CONNECTOR BOARD	1.179.100-12	PAGE 9
	BLOCK DIAGRAM TONE - ARM ELECTRONIC		PAGE 10
	BLOCK DIAGRAM TURNTABLE - DRIVE		PAGE 11





SWITCH BOARD / ARM
1.179.145

LOWERING
LIFTING

-0.0V

E

FAST INWARD

FAST OUTWARD

C

+5.0V

+6.0V

-5.0V

+5.0V

+6.0V

-5.0V

+5.0V

+6.0V

-5.0V

+5.0V

+6.0V

-5.0V

+5.0V

+6.0V

-5.0V

+5.0V

+6.0V

-5.0V

+5.0V

+6.0V

-5.0V

+5.0V

+6.0V

-5.0V

+5.0V

+6.0V

-5.0V

+5.0V

+6.0V

-5.0V

+5.0V

+6.0V

-5.0V

+5.0V

+6.0V

-5.0V

+5.0V

+6.0V

-5.0V

+5.0V

+6.0V

-5.0V

+5.0V

+6.0V

-5.0V

+5.0V

+6.0V

-5.0V

+5.0V

+6.0V

-5.0V

+5.0V

+6.0V

-5.0V

+5.0V

+6.0V

-5.0V

+5.0V

+6.0V

-5.0V

+5.0V

+6.0V

-5.0V

+5.0V

+6.0V

-5.0V

+5.0V

+6.0V

-5.0V

+5.0V

+6.0V

-5.0V

+5.0V

+6.0V

-5.0V

+5.0V

+6.0V

-5.0V

+5.0V

+6.0V

-5.0V

+5.0V

+6.0V

-5.0V

+5.0V

+6.0V

-5.0V

+5.0V

+6.0V

-5.0V

+5.0V

+6.0V

-5.0V

+5.0V

+6.0V

-5.0V

+5.0V

+6.0V

-5.0V

+5.0V

+6.0V

-5.0V

+5.0V

+6.0V

-5.0V

+5.0V

+6.0V

-5.0V

+5.0V

+6.0V

-5.0V

+5.0V

+6.0V

-5.0V

+5.0V

+6.0V

-5.0V

+5.0V

+6.0V

-5.0V

+5.0V

+6.0V

-5.0V

+5.0V

+6.0V

-5.0V

+5.0V

+6.0V

-5.0V

+5.0V

+6.0V

-5.0V

+5.0V

+6.0V

-5.0V

+5.0V

+6.0V

-5.0V

+5.0V

+6.0V

-5.0V

+5.0V

+6.0V

-5.0V

+5.0V

+6.0V

-5.0V

+5.0V

+6.0V

-5.0V

+5.0V

+6.0V

-5.0V

+5.0V

+6.0V

-5.0V

+5.0V

+6.0V

-5.0V

+5.0V

+6.0V

-5.0V

+5.0V

+6.0V

-5.0V

+5.0V

+6.0V

-5.0V

+5.0V

+6.0V

-5.0V

+5.0V

+6.0V

-5.0V

+5.0V

+6.0V

-5.0V

+5.0V

+6.0V

-5.0V

+5.0V

+6.0V

-5.0V

+5.0V

+6.0V

-5.0V

+5.0V

+6.0V

-5.0V

+5.0V

+6.0V

-5.0V

+5.0V

+6.0V

-5.0V

+5.0V

+6.0V

-5.0V

+5.0V

+6.0V

-5.0V

+5.0V

+6.0V

-5.0V

+5.0V

+6.0V

-5.0V

+5.0V

+6.0V

-5.0V

+5.0V

+6.0V

-5.0V

+5.0V

+6.0V

-5.0V

+5.0V

+6.0V

-5.0V

+5.0V

+6.0V

-5.0V

+5.0V

+6.0V

-5.0V

+5.0V

+6.0V

-5.0V

+5.0V

+6.0V

-5.0V

+5.0V

+6.0V

-5.0V

+5.0V

+6.0V

-5.0V

+5.0V

+6.0V

-5.0V

+5.0V

+6.0V

-5.0V

+5.0V

+6.0V

-5.0V

+5.0V

+6.0V

-5.0V

+5.0V

+6.0V

-5.0V

+5.0V

+6.0V

-5.0V

+5.0V

+6.0V

-5.0V

+5.0V

+6.0V

-5.0V

+5.0V

+6.0V

-5.0V

+5.0V

+6.0V

-5.0V

+5.0V

+6.0V

-5.0V

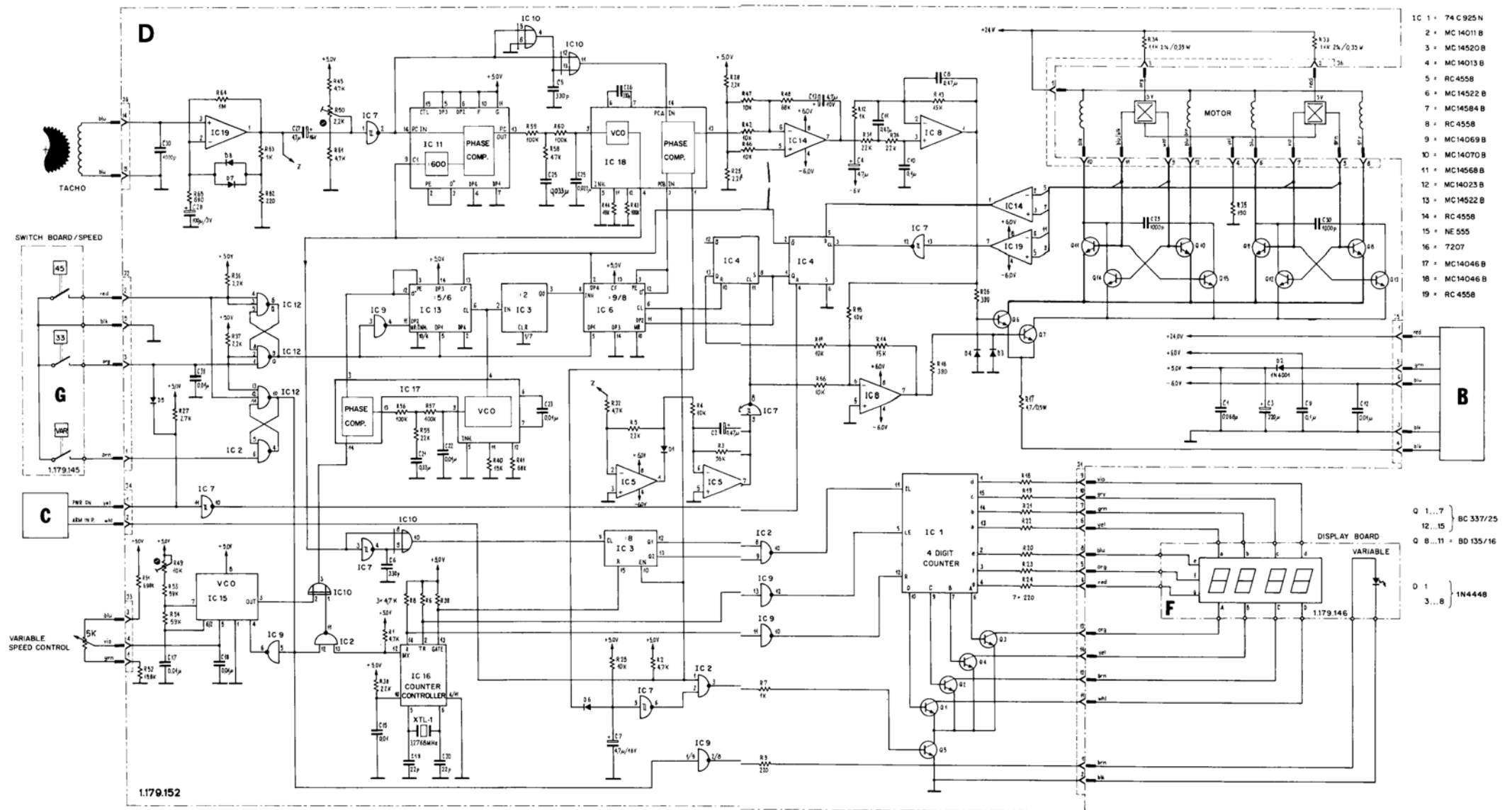
+5.0V

+6.0V

-5.0V

+5.0V

+6.0V



- IC 1 - 74C 925 N
- 2 - MC 14011 B
- 3 - MC 14520 B
- 4 - MC 14013 B
- 5 - RC 4558
- 6 - MC 14522 B
- 7 - MC 14584 B
- 8 - RC 4558
- 9 - MC 14069 B
- 10 - MC 14070 B
- 11 - MC 14568 B
- 12 - MC 14023 B
- 13 - MC 14522 B
- 14 - RC 4558
- 15 - NE 555
- 16 - 7207
- 17 - MC 14046 B
- 18 - MC 14046 B
- 19 - RC 4558

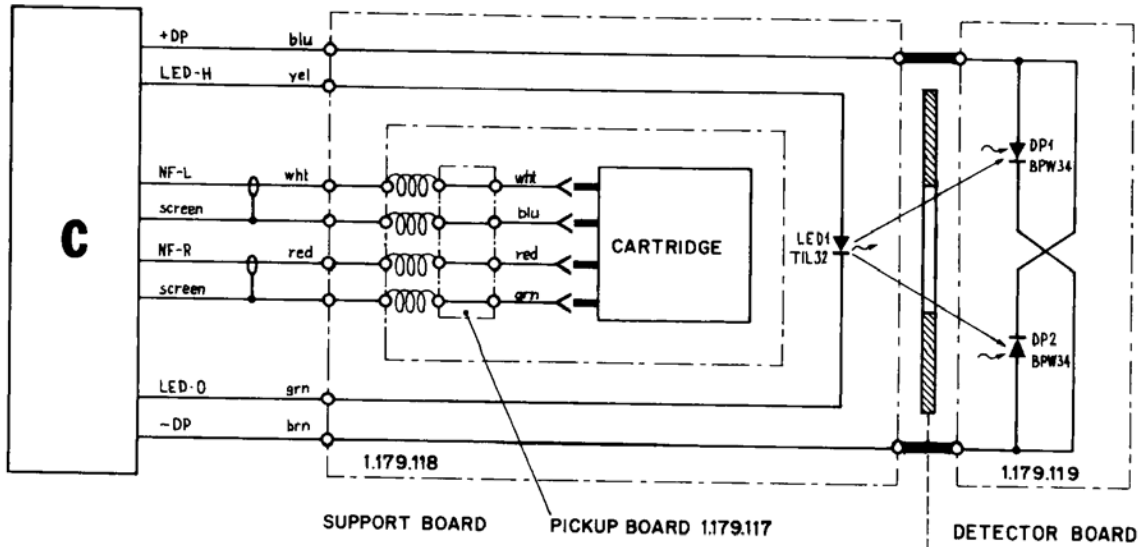
- Q 1...7 } BC 337/25
- 12...15 }
- Q 8...11 } BD 135/16
- D 1 } 1N4448
- 3...8 }

SWITCH BOARD / SPEED 1.179.145

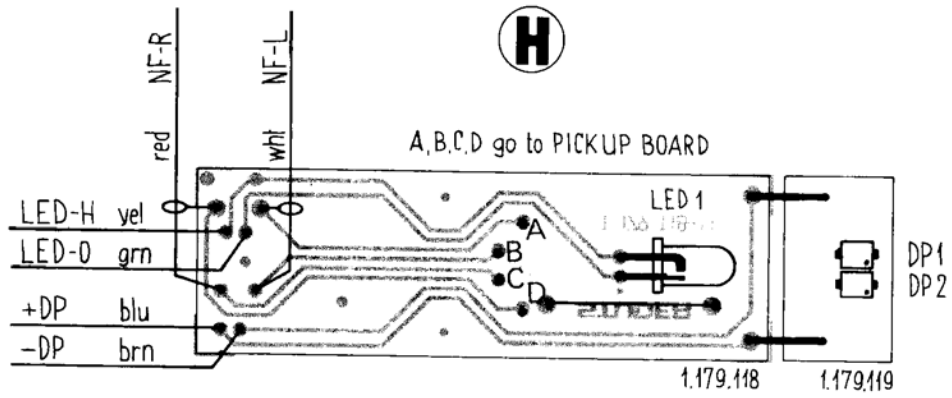
MOTOR CONTROL BOARD 1.179.152

DISPLAY BOARD 1.179.146

H

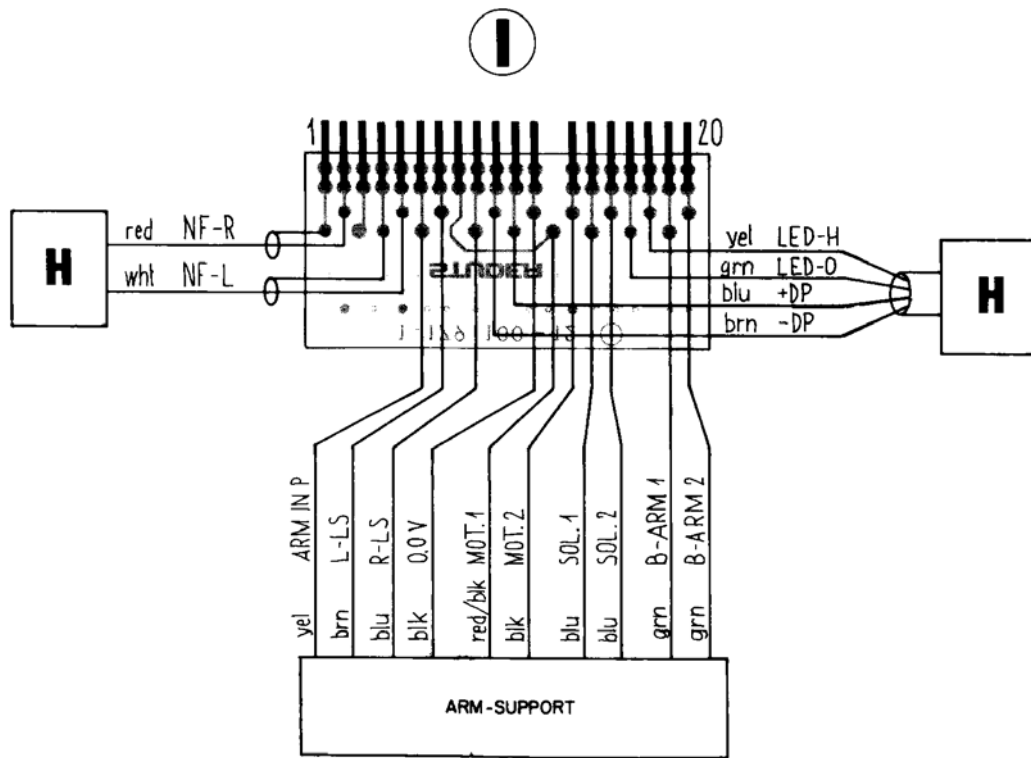


H

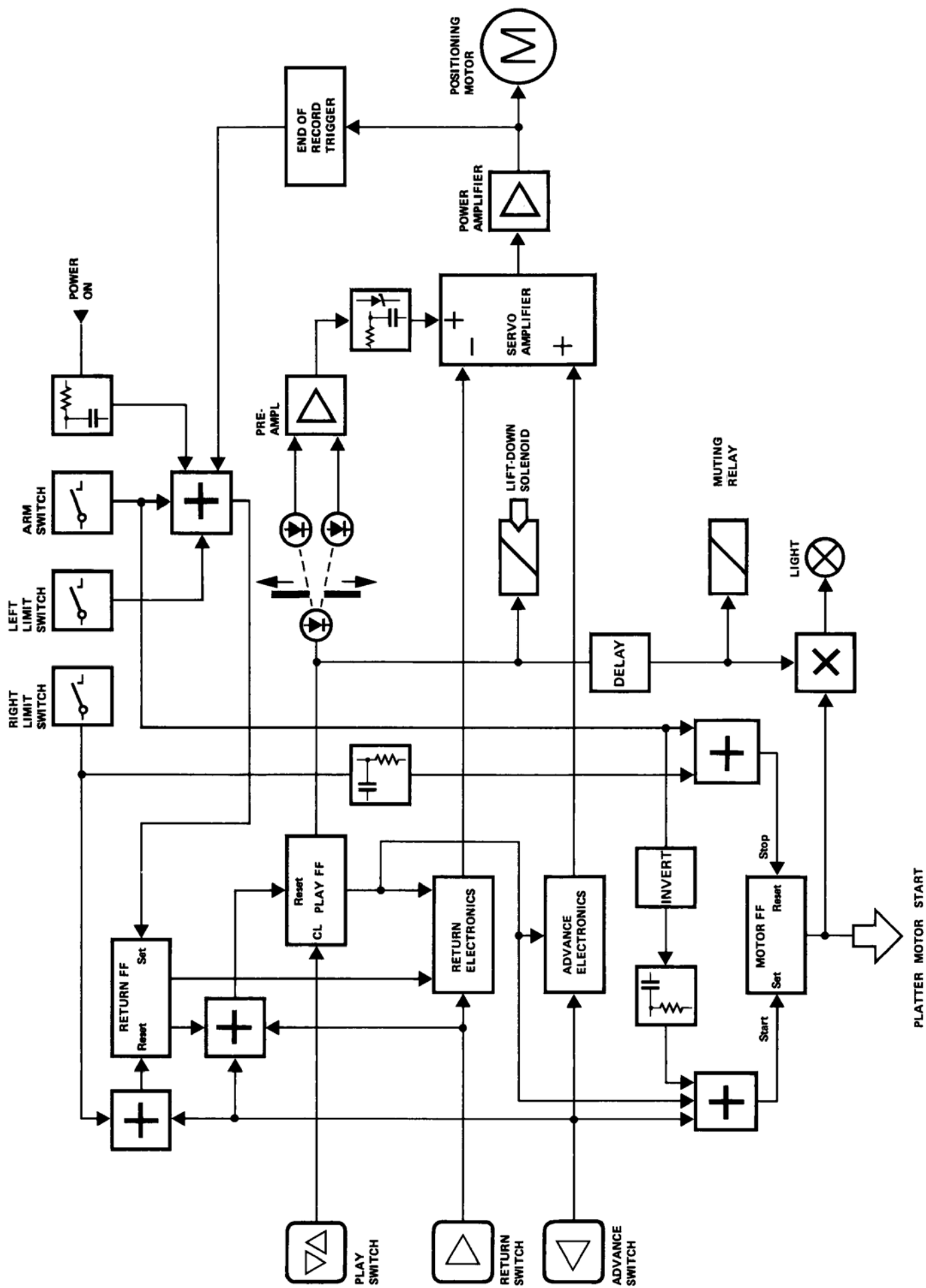


PICKUP SUPPORT

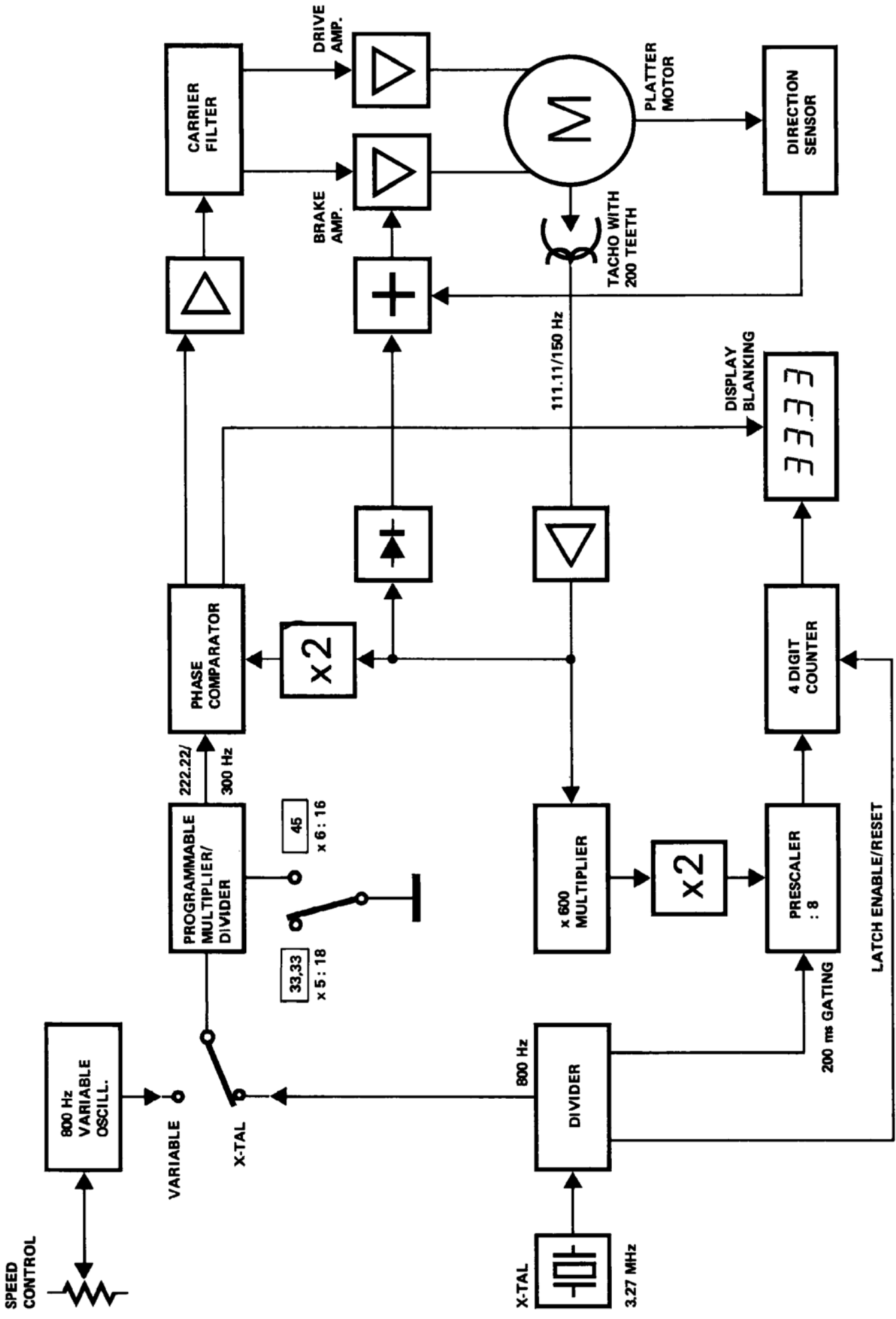
1.179.116



CONNECTOR BOARD 1.179.100 - 12



PLATTER MOTOR START



BLOCK DIAGRAM TURNTABLE - DRIVE

