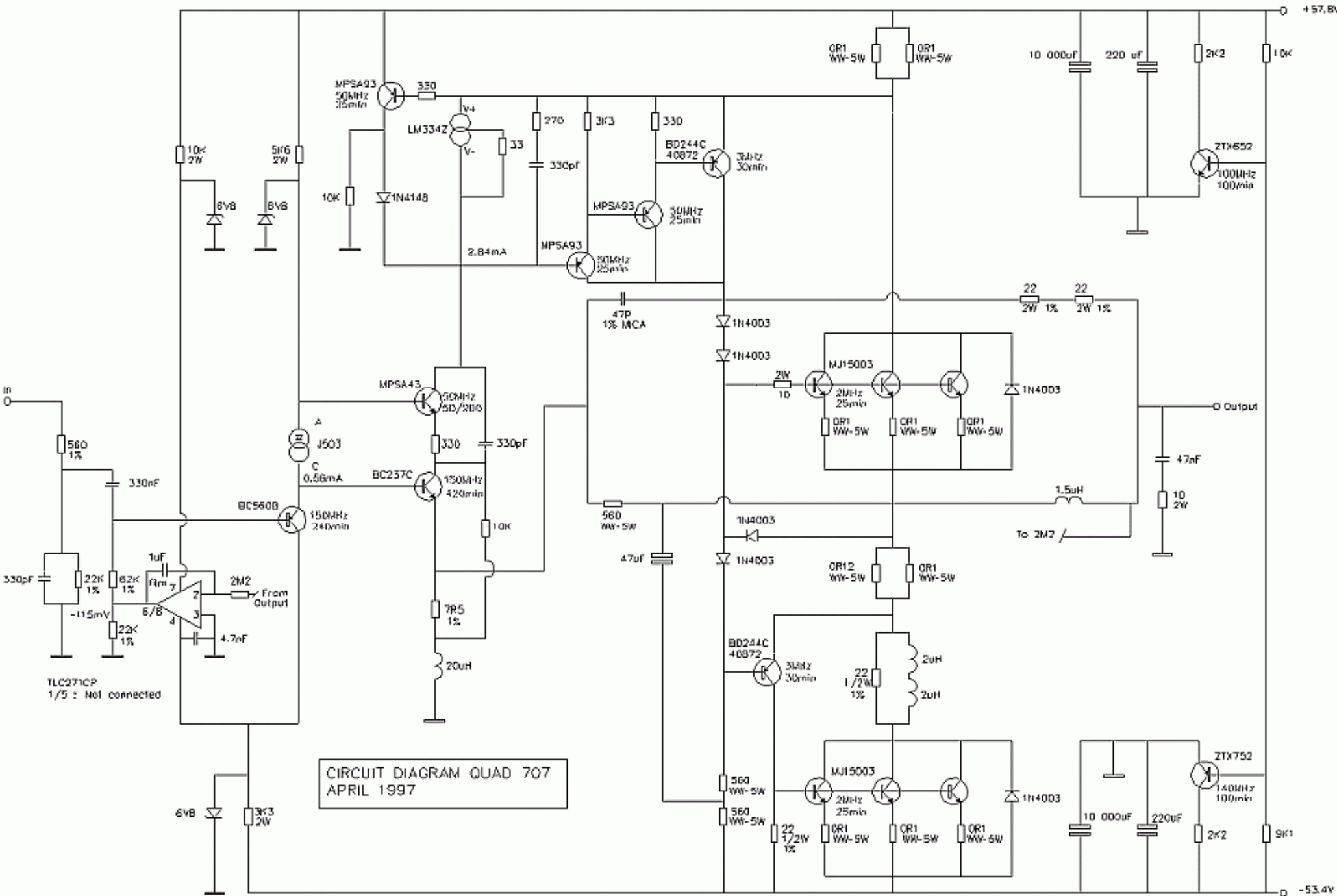


+57.8V



CIRCUIT DIAGRAM QUAD 707  
APRIL 1997

-53.4V