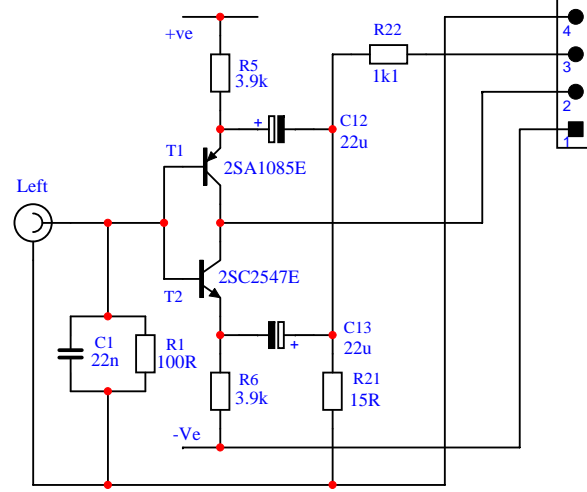
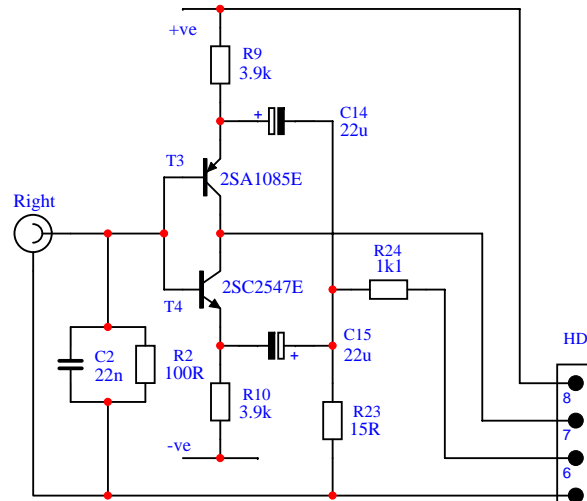
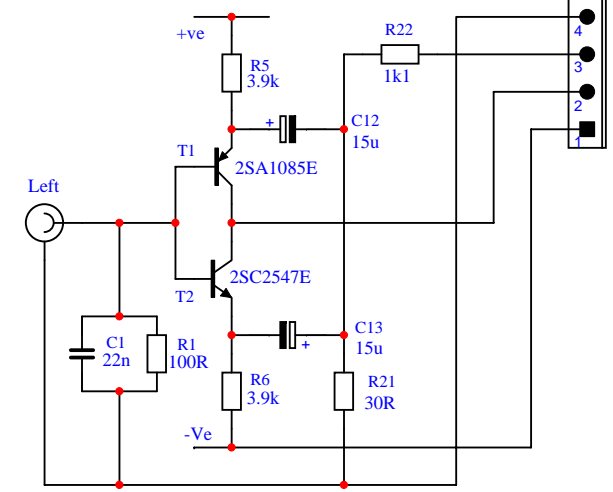
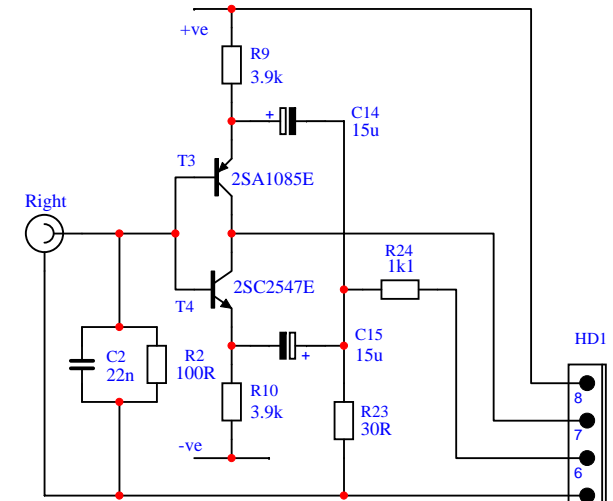


100uV



200uV



400uV

QUAD 34 Moving Coil Disc modules modification to use 2SC2547E and 2SA1085E low noise transistors operating at 1mA collector current to give lowest noise at low impedance source. Note on the main PCB C18 and C22 may be bypassed with 330nF-510nF or changed for values in the range 2.2uF to 3.3uF to fine adjust the low frequency response.

| | | | |
|--------------------------------------|----------------------|---------------|--|
| Revision: 1 | d.c. ~ daylight ltd. | Page Size: A4 | d.c. ~ daylight ltd. |
| QUAD 34 RIAA MC modifications | | | |
| June 2007 | Drawn: K. Snook | Checked: | Page 1 of 1 |
| | | | 5 Greenacre Drive Pontprennau Cardiff CF23 8PA Tel: +44 29 20 657149 Fax: +44 29 20 657151 |