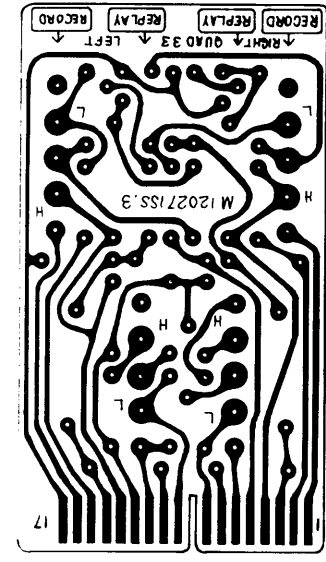
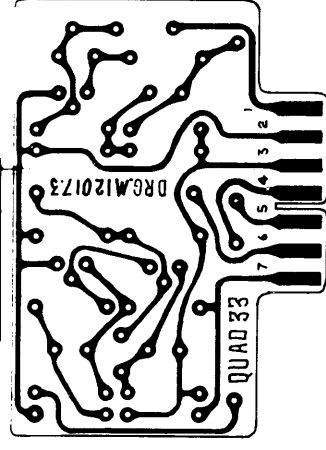




155.4

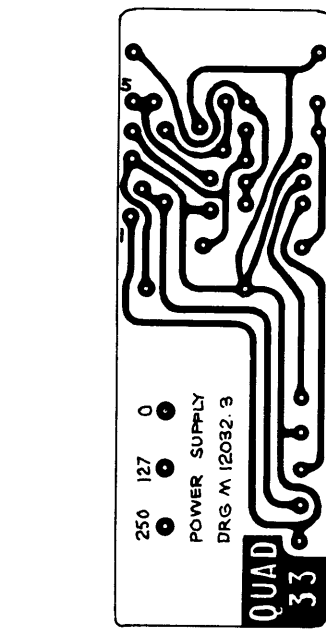


RECORD REPLAY
M 12027ISS.3
LEFT RIGHT QUAD 33
REPLAY REPLAY



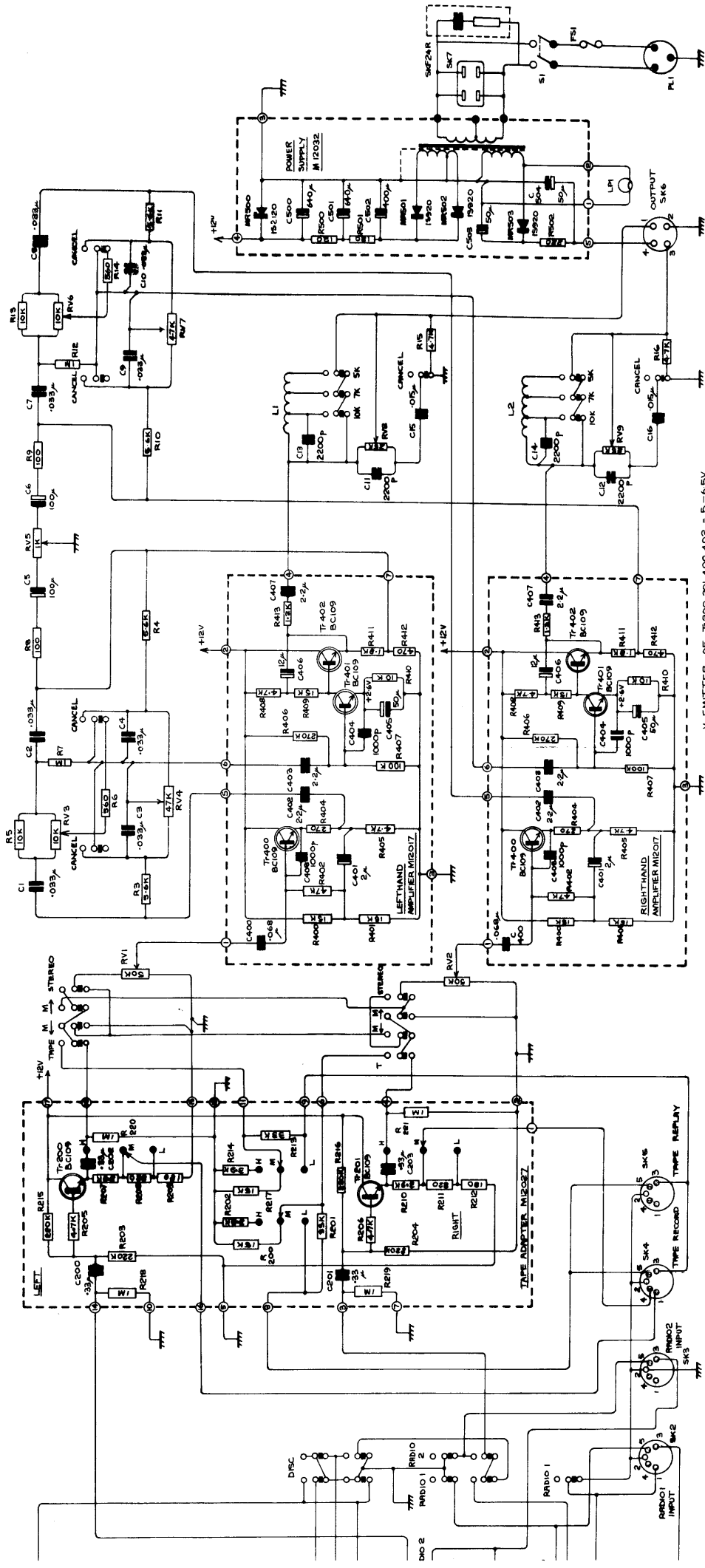
QUAD 33

DRGM120173



QUAD 33

250 127 0
POWER SUPPLY
DRG M 12032.9

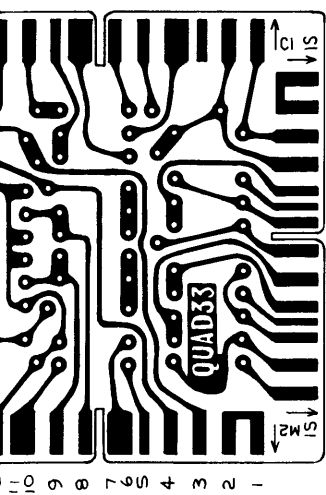


V. EMITTER OF T-800 (20, 400, 402) = 5 - 6.5V

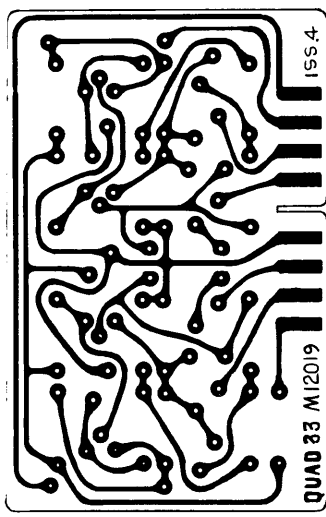
VOLTAGES SHOWN ARE APPROXIMATE AND ALLOWANCE SHOULD BE MADE FOR LOADING EFFECTS OF A VOLTMETER.

FRONT SECTION OF EACH CHANNEL CONTROL IS IN THE LEFT CHANNEL

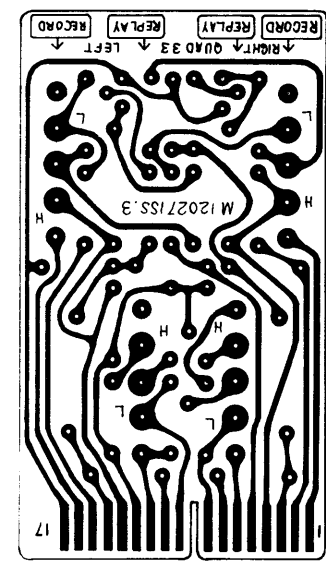
NOTICE



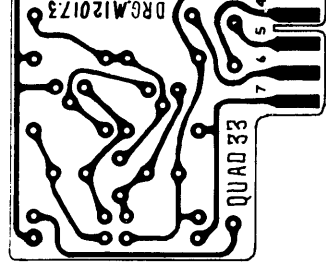
14 13 12 11 10 9 8 7 6 5 4 3 2 1



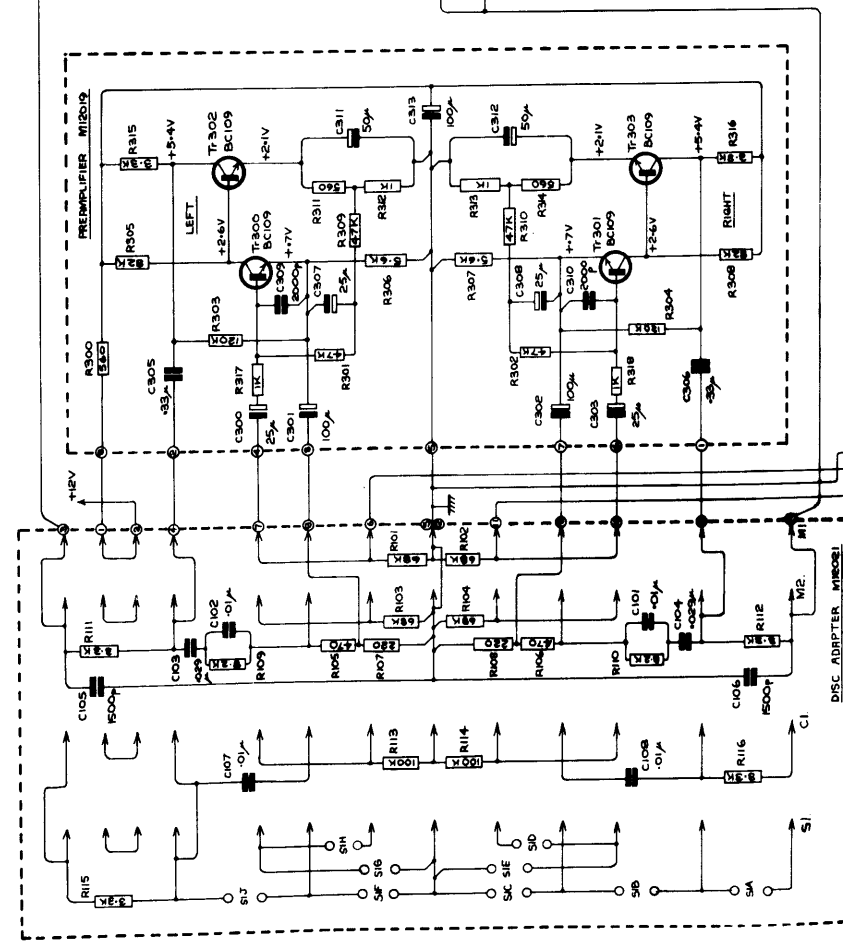
8 7 6 5 4 3 2 1



17

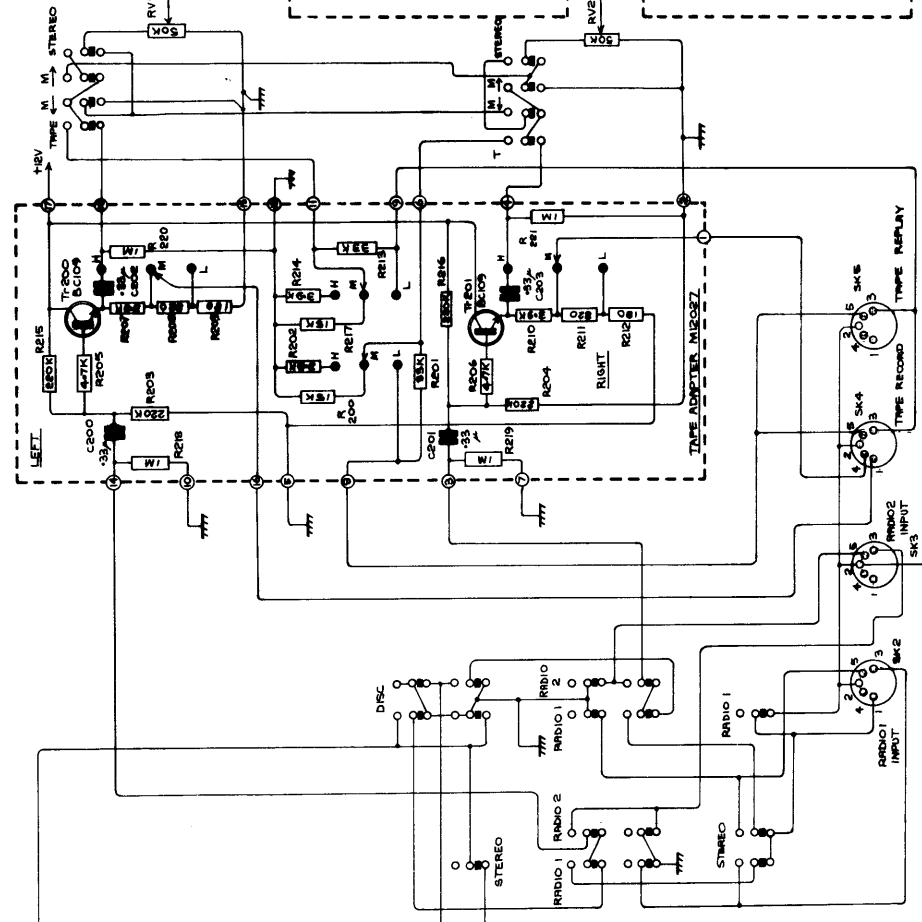


DRGM1201723



RESISTORS R105 TO R112 & CAPACITORS C101 TO C106 SHUNNE CHANNELS IN M2 CONNECTION

ALL INPUT CONNECTIONS ARE:
PIN 2 - EARTH
PIN 3 - LEFT CHANNEL
PIN 5 - RIGHT CHANNEL



THE FRONT SECTION OF EACH DUAL CONTROL IS IN THE LEFT CHANNEL

VOLTAGES SHOWN ARE APPROXIMATE AND ALLOWANCE SHOULD BE MADE FOR LOADING EFFECTS OF A VOLTMETER

CIRCUIT CHANGES MAY BE MADE FROM TIME TO TIME WITHOUT NOTICE