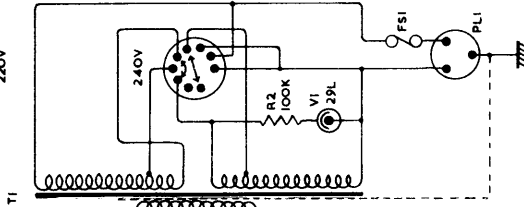
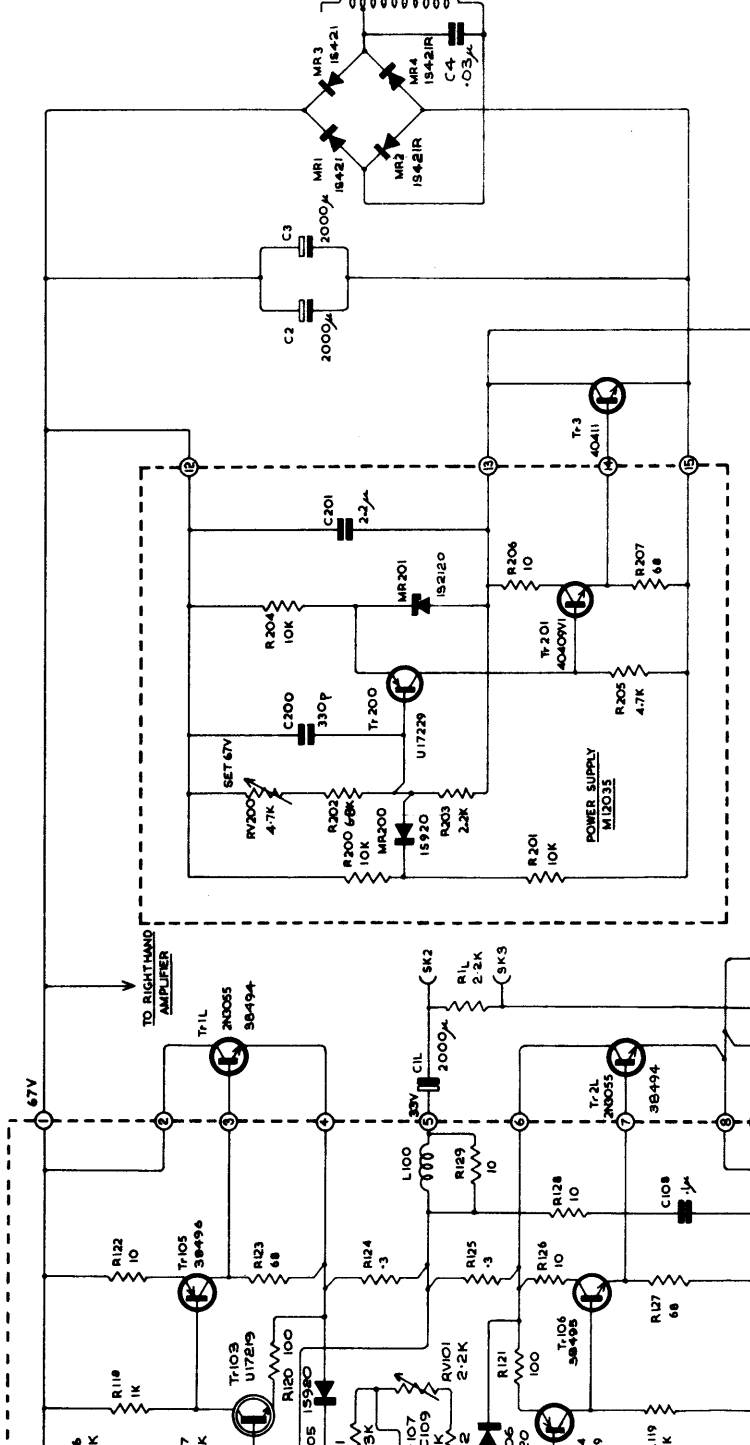


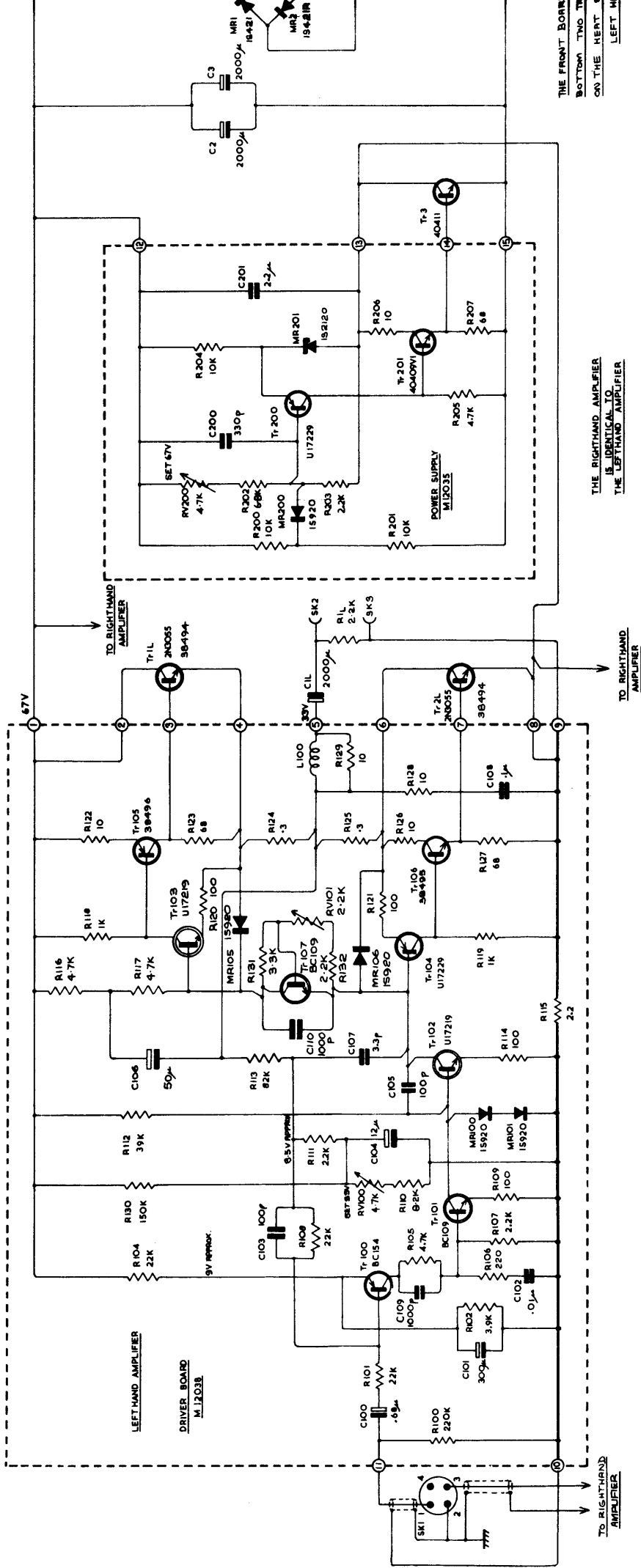
BOARDS VIEWED FROM COPPER SIDE



THE FRONT BOARD AND THE
BOTTOM TWO TRANSISTORS
ON THE HEAT SINK ARE THE
LEFT HAND CHANNEL



THE RIGHTHAND AMPLIFIER
IS IDENTICAL TO
THE LEFTHAND AMPLIFIER



THE FRONT BOARD
BOTTOM TWO TR
ON THE HEAT
LEFT M

THE RIGHTHAND AMPLIFIER
IS IDENTICAL TO
THE LEFTHAND AMPLIFIER