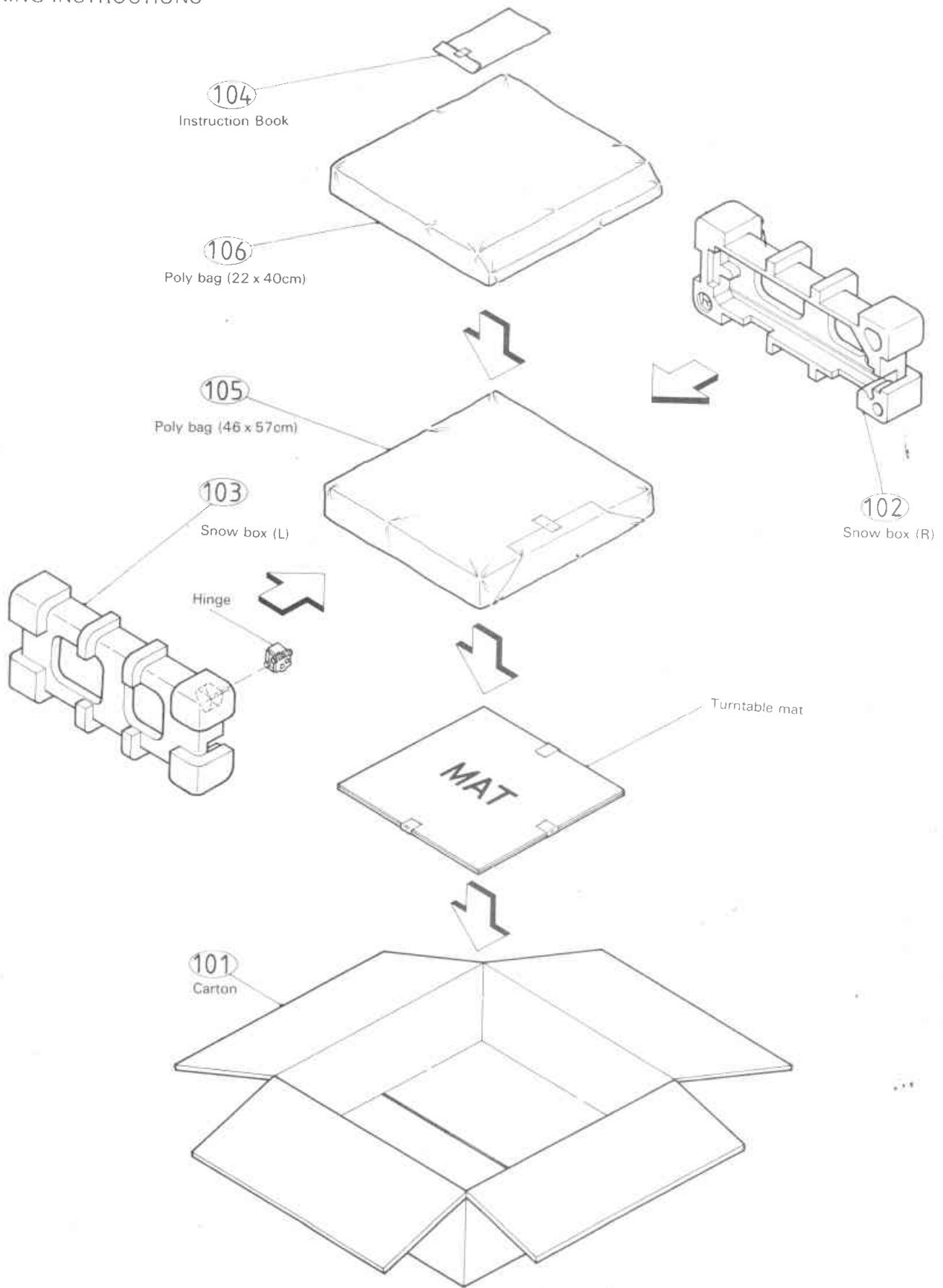


PACKING INSTRUCTIONS

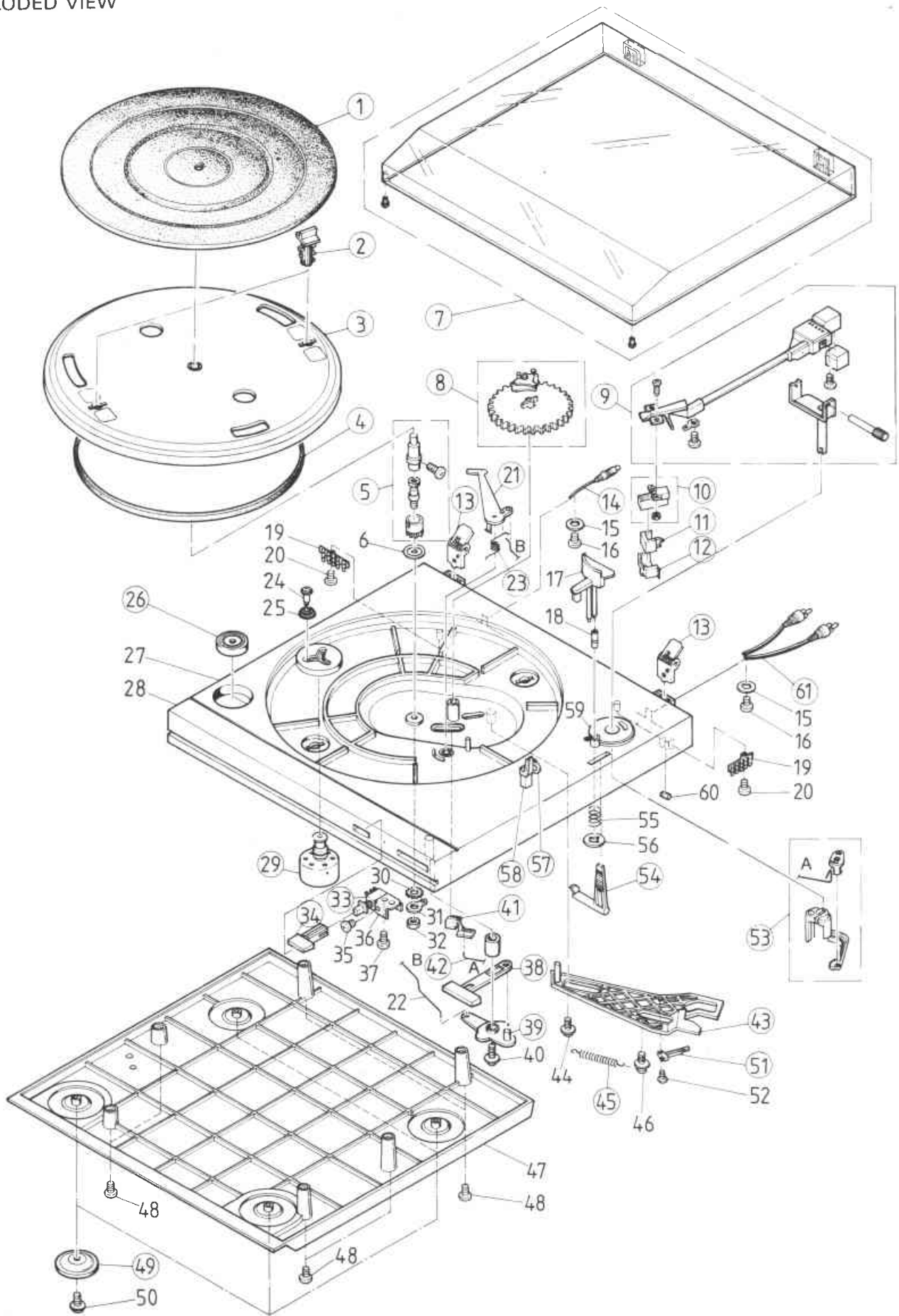


PARTS LIST

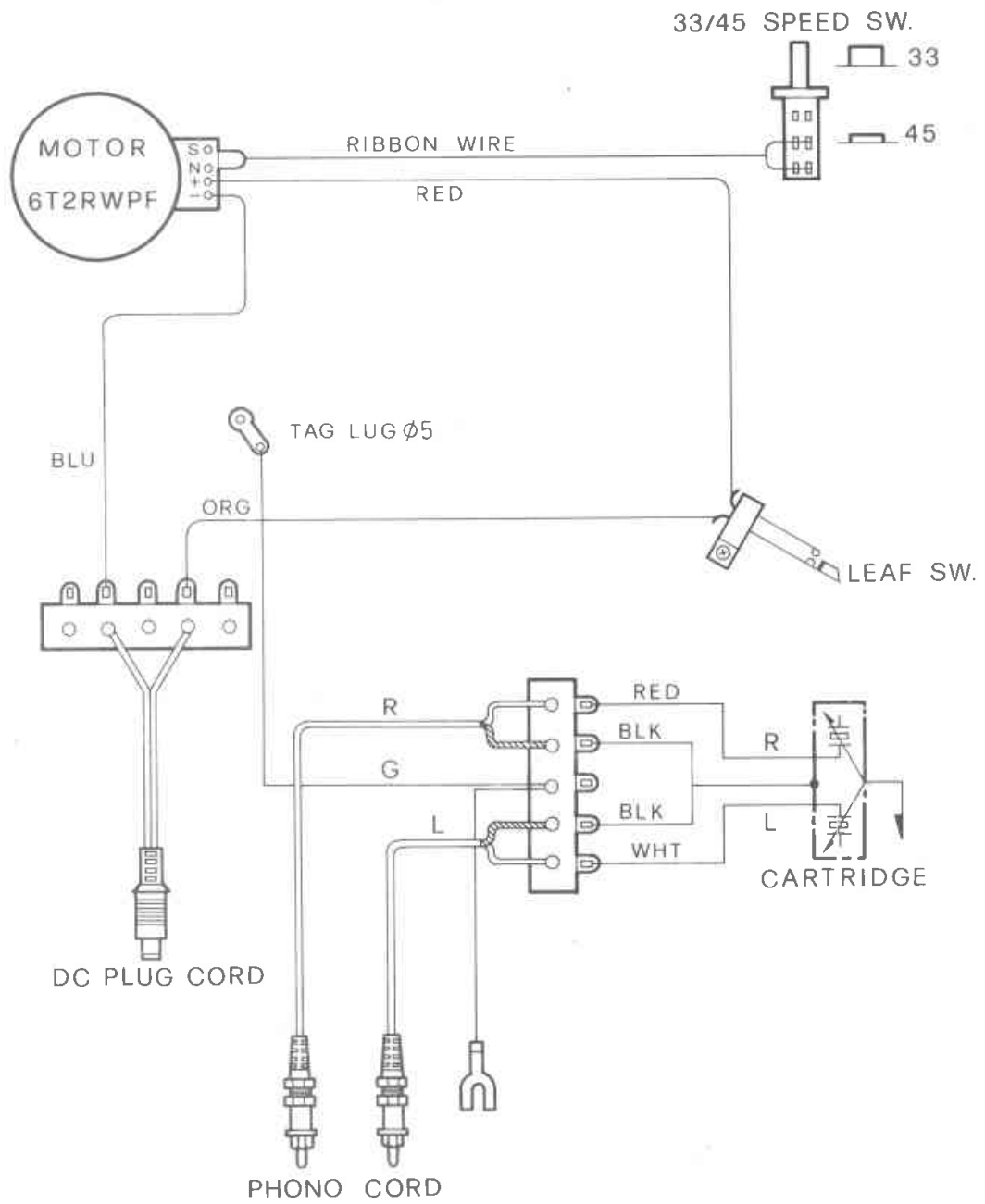
Symbol No.	Parts No.	Description
1	1001100951	Turntable mat
2	1004100558	Turntable locker
3	1001100644	Turntable
4	2002005015	Turntable belt
5	0004100867	Spindle ass'y
6		Spindle washer
7	1001100670	Dust cover
8	0000101037	Cam gear ass'y
9	0003100726	Pick up arm ass'y
10	5250427289	Cartridge
11	1045000289	Stylus
12	1046000289	Cartridge cover
13	0007005015	Hinge ass'y
14	5620807209	DC plug cord 720mm
15		Fiber washer
16		7-BID 3010 ZN3A 10D
17		Lift platform
18		Viscous shaft
19		Lug Terminal 1 L4p
20		7-BID 3008 ZN3A 10D
21	2016005025	Reject lever
22		Control wire
23	2021005025	Reject spring
24		Screw
25		Grommet (A)
26	1004101211	45 Adaptor
27		Main cabinet
28		Front overlay
29	4021240204	Motor ass'y
30		W-Gear 0003 ZN3A
31		Tag ϕ 5
32		NUT 50 ZN3A
33	4430222505	Push sw SPPJ-22NG 01-BR
34	1003100655	Speed knob
35		2-PAN 2604 ZN3A
36		sw holder
37		7-PAN 3008 ZN3A
38	1003100654	Stop knob
39	2009000037	Control lever (B)
40		7-BID 3008 ZN3A 12D
41	2019105025	Trip lever
42	2004101033	Trip rod
43	2003101006	Slide arm
44		7-BID 3014 ZN3A 12D
45	2004101031	Slide arm spring
46		Slide arm screw 3 x 14 12D
47		Bottom cabinet
48		7-BID 3012 ZN3A
49	2003105015	Foot
50		7-BID 3008 ZN3A 12D
51	4407000084	Leaf sw (LSB-1123-5)
52		7-PAN 2006 ZN3A
53	0000101038	Return link ass'y
54	1004101013	Cue lever
55		Viscous spring
56		Push nut ϕ 3
57	1004100520	P.U. tube hook
58	1010005015	P.U. rest
59		P.U. hinge collar

Symbol No.	Parts No.	Description
60		Securing rubber
61	5621009509	Phono cord 950mm
Packing		
101	1004100850	Carton
102	9001100825	Snow box (R)
103	9001100826	Snow box (L)
104	9004101117	Instruction Book
105	9005005015	Poly bag (46 x 57cm)
106	9011010105	Poly bag (22 x 40cm)

EXPLODED VIEW



WIRING DIAGRAM



DISASSEMBLY PROCEDURE

1. Bottom Cover Removal (Fig. 1)

- 1) Remove the platter and platter-mat.
- 2) Remove the 6 screws (A) from the bottom base and lift off.

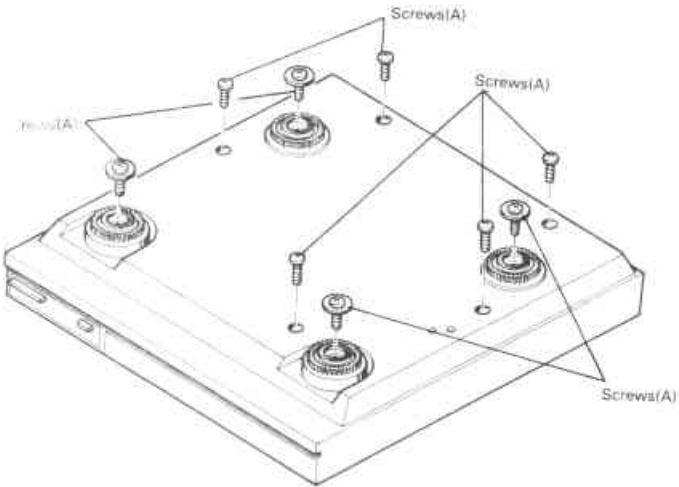


Fig. 1

2. Tonearm Removal (Fig. 2/3)

- 1) Remove the bottom cover.
- 2) Remove lead wires (red shield, white shield and black) connected to phono P.C.B. ass'y strip.
- 3) Remove the pivot pin from the hinge bracket to remove the tonearm.

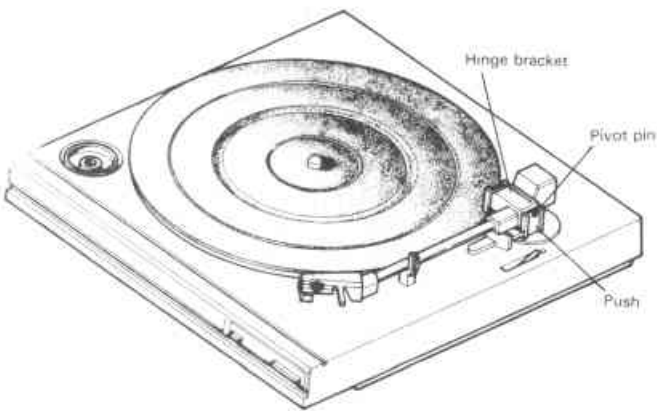


Fig. 2

ADJUSTMENT PROCEDURE

1. Tonearm Adjustment (Fig. 4)

- 1) During the music playing, the music stops turn it to the left (counter-clockwise).
- 2) After the end of the music playing, the tonearm can not return to its original position, turn it to the right (clockwise).

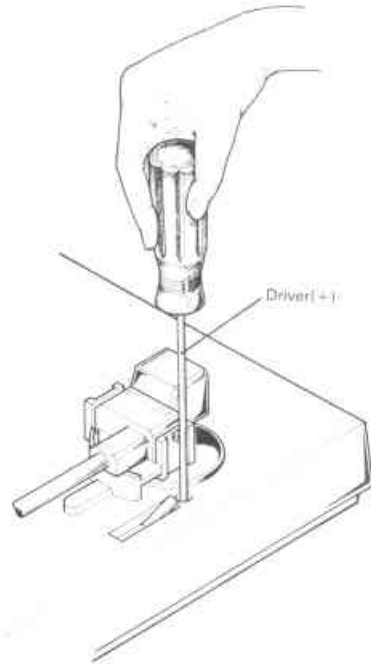


Fig. 4

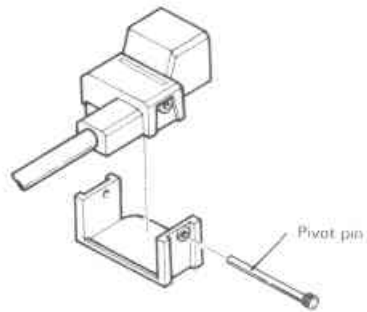
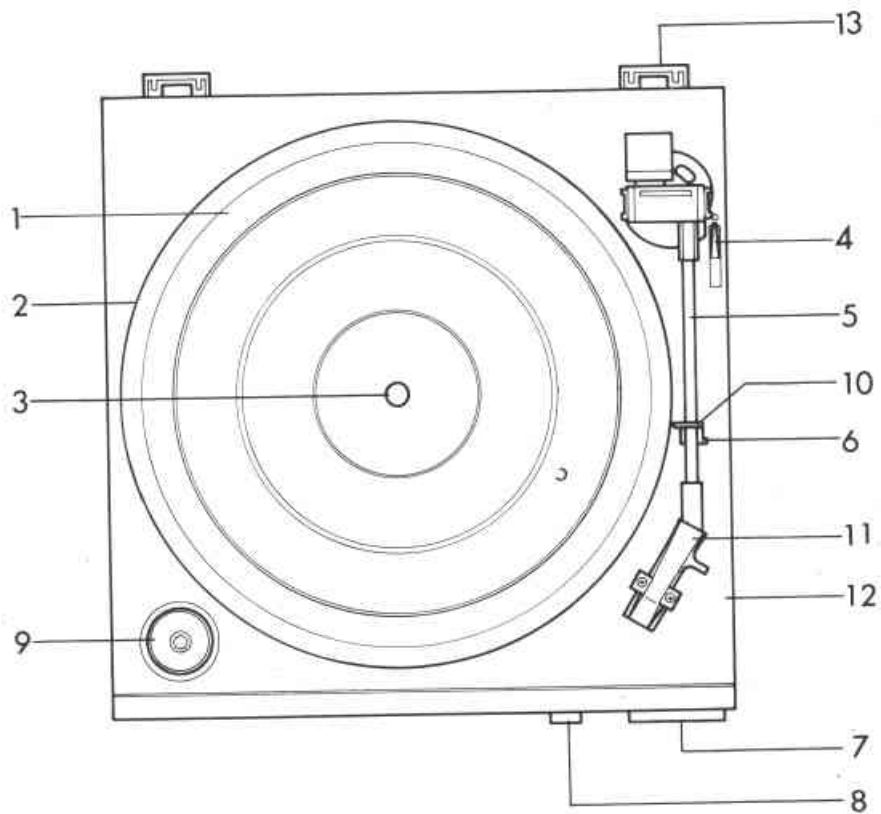


Fig. 3

COMPONENT TERMINOLOGY AND FUNCTIONS



1. Platter Mat
2. Platter
3. Turntable shaft
4. Cueing lever
5. Tonearm
6. Rest Stand
7. Stop button
8. Speed selector button
9. 45 rpm adapter
10. Tonearm clammer
11. Tonearm holder
12. Stylus cover
13. Hinges

SPECIFICATIONS

1. PHONO MOTOR SECTION

Drive mechanism	Belt drive
Motor	DC servo-controlled motor
Rotational speed	2-speed (33-1/3 and 45 rpm)
Turntable platter	300mm
Wow and flutter	less than 0.15% (Wrms)
Rumble	lower than 30dB (DIN-A) Lower than 45dB (DIN-B)

2. TONEARM SECTION

Type	static balanced, straight pipe tonearm
Effective length	203mm
Overhang	17mm
Tracking error	+ 3° ~ - 1°

3. CARTRIDGE SECTION

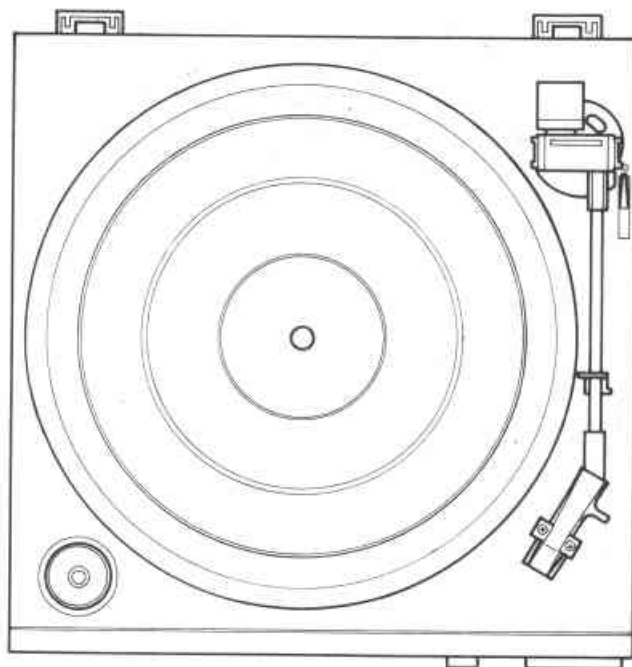
Output voltage	2.4 ~ 3.5 mV
Frequency response	20 ~ 20,000 Hz
Channel balance (1 KHz)	< 2 dB
Cross talk (1 KHz)	> 18 dB
Load resistance	47 K ohms
Stylus tip	15μm spherical stylus
Dynamic compliance	3.5 μm/mN
Tracking force	3.5 g
Stylus replacement	AT-3600 L

4. GENERAL

Power supply voltage	DC 12V
Current consumption	50 mA
Major dimension	with cover closed 350 (W) x 102 (H) x 351 (D) mm
Weight	Approx. 2.6 kg
Accessory	45 rpm adaptor

Design and specifications are subject to change without notice for improvement.

SERVICE MANUAL
TURNTABLE
MODEL LT-703



CONTENTS

SPECIFICATIONS.....	2
COMPONENT TERMINOLOGY AND FUNCTIONS.....	3
DISASSEMBLY PROCEDURE.....	4
ADJUSTMENT PROCEDURE.....	4
WIRING DIAGRAM.....	5
PRINTED CIRCUIT BOARD.....	5
EXPLODED VIEW.....	6
PARTS LIST.....	7
PACKING INSTRUCTIONS.....	8