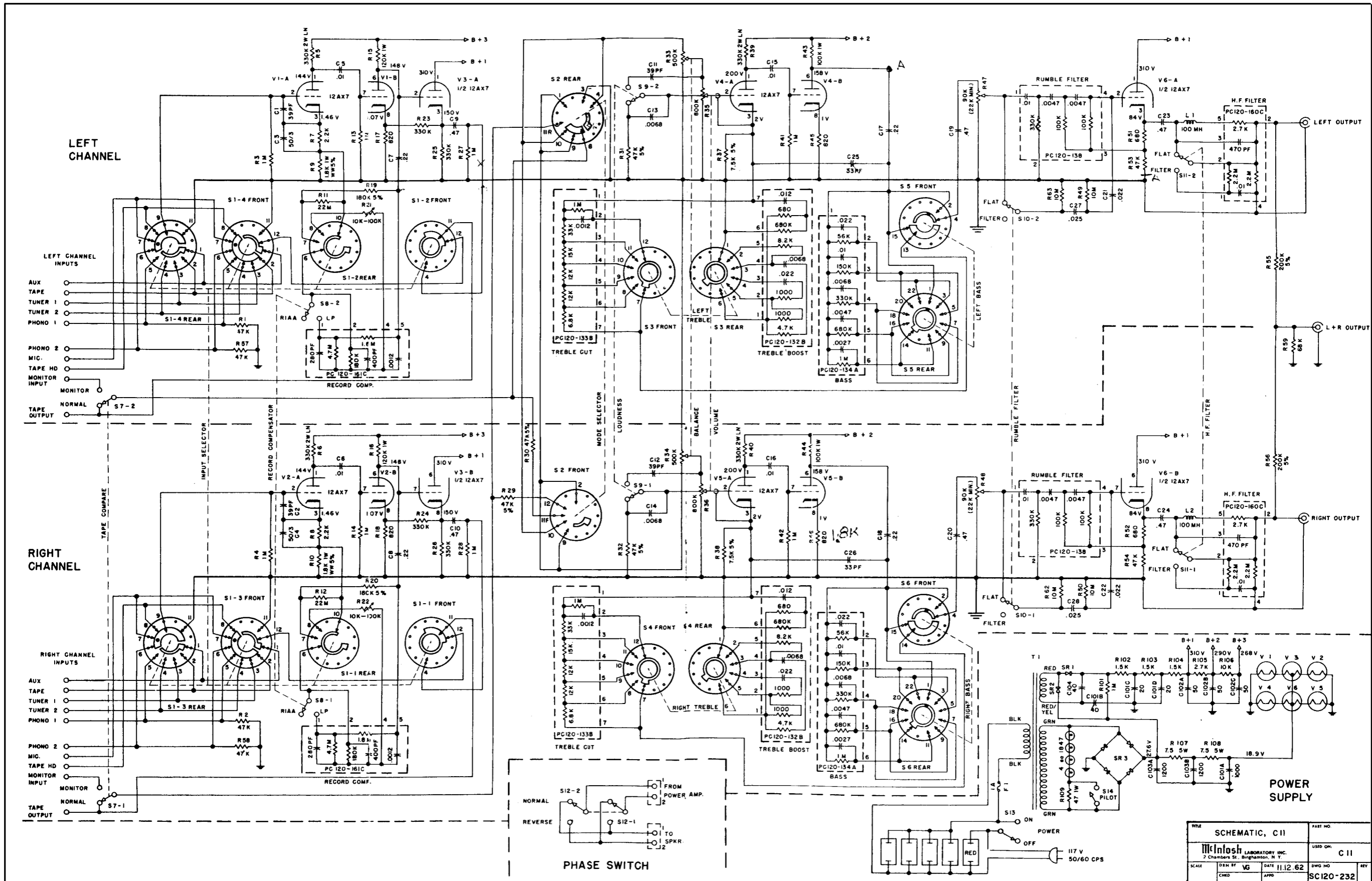


C11 Schematic
Schematic No. SC120-232



TITLE		PART NO.	
SCHEMATIC, C11		C11	
McIntosh LABORATORY INC. 2 Chambers St., Binghamton, N. Y.			
SC41E	DRAWN BY VG	DATE 11.12.62	DWG NO
CHD	APPD		SC120-232