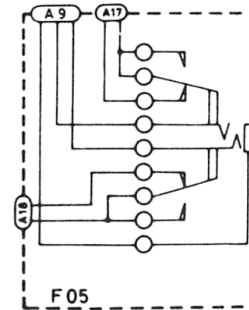
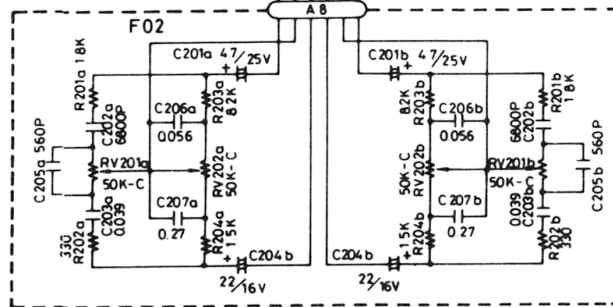
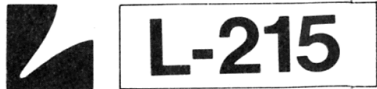
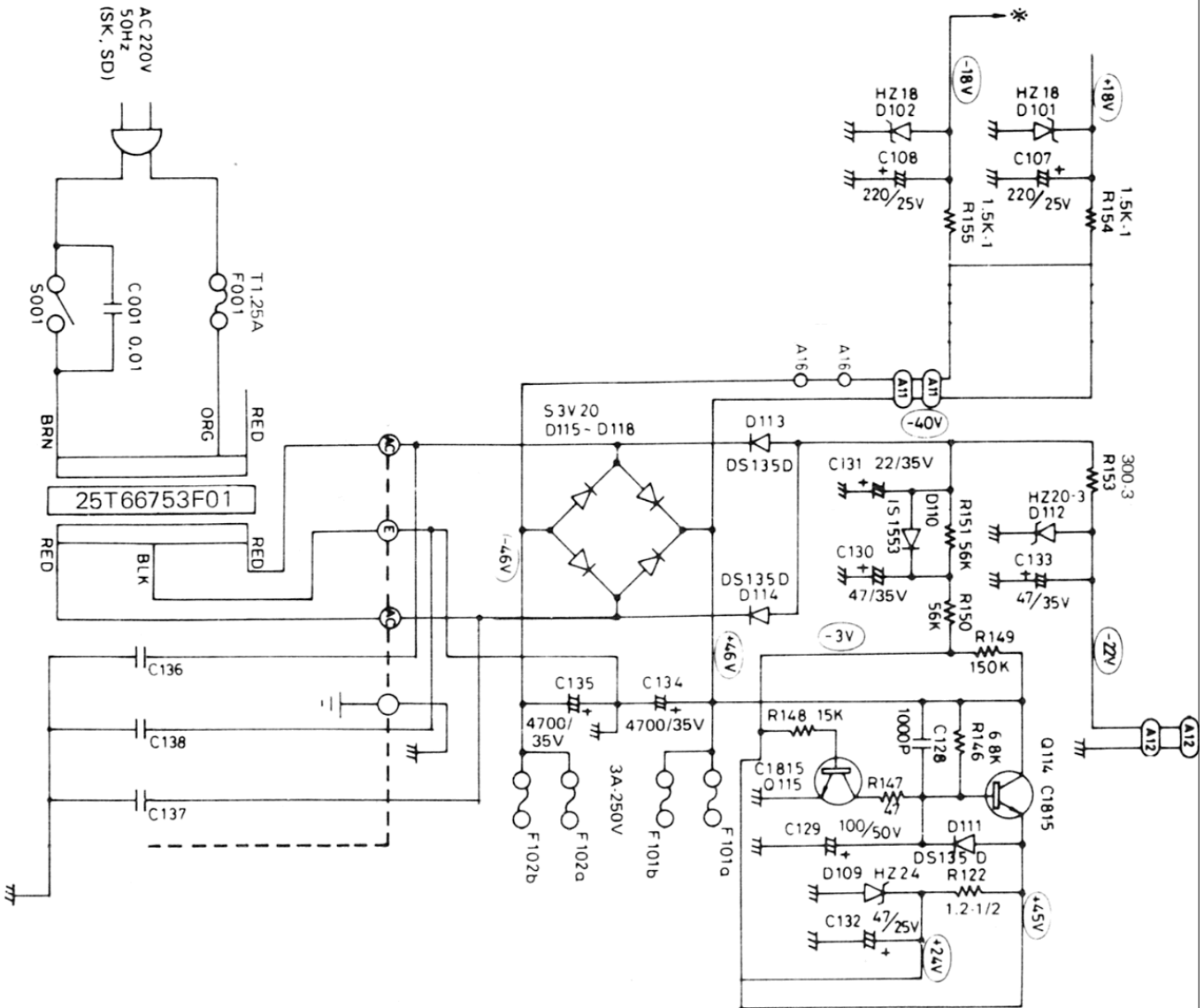


Remarks

1. Unless otherwise specified, all resistors are in OHM 1/4 watt, all capacitors in micro farad.
2. Transistors and diodes may be replaced with any type having comparable ratings.
3. Due to continued improvements LUX reserve the circuit or specifications.



D119a, b 1S1553
D120a, b 1S1553



25T67076F01