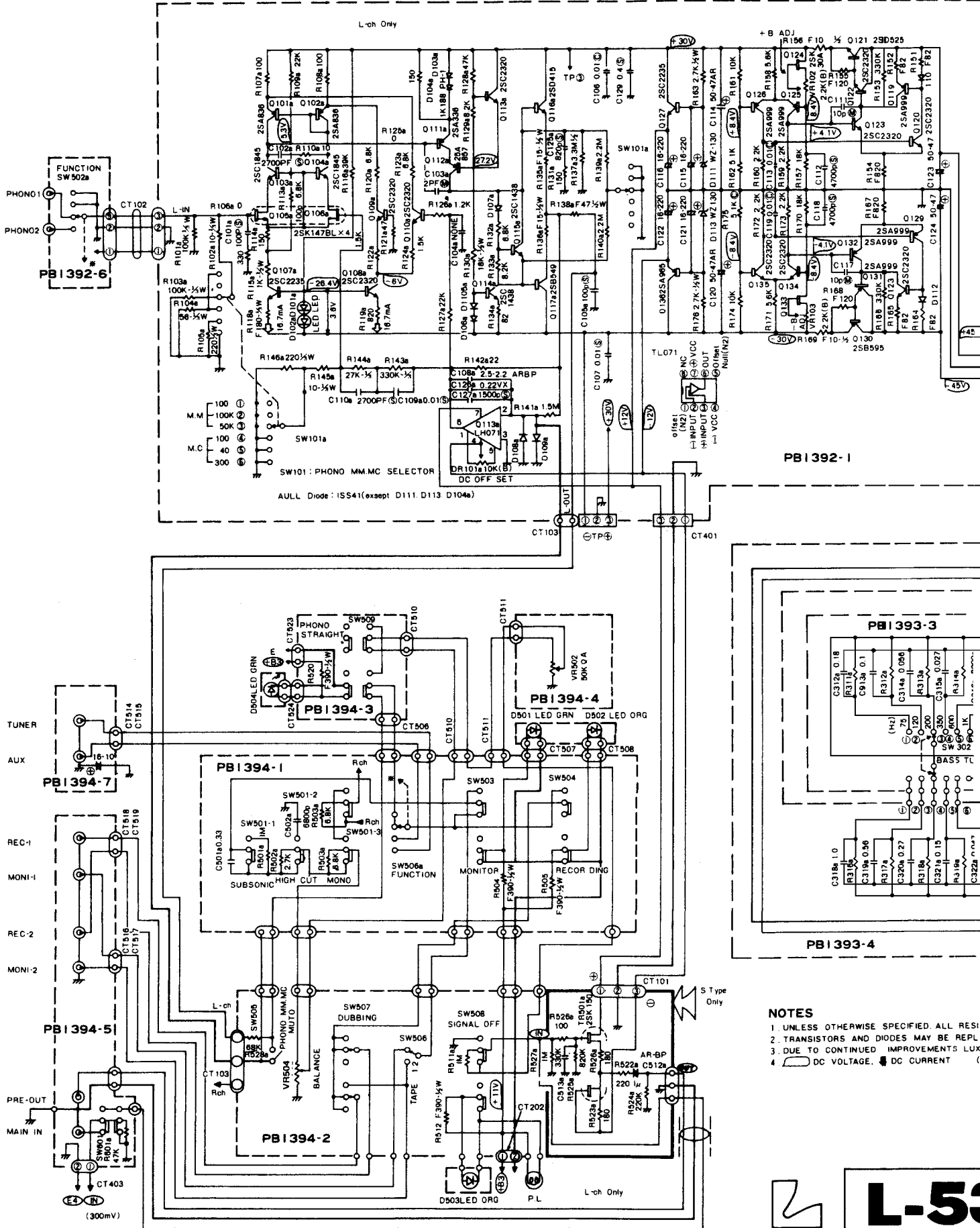
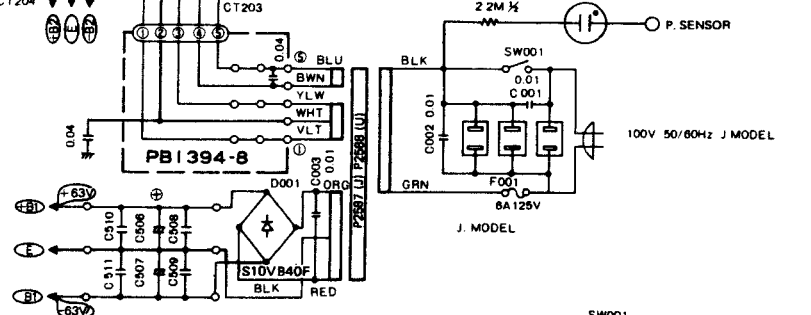
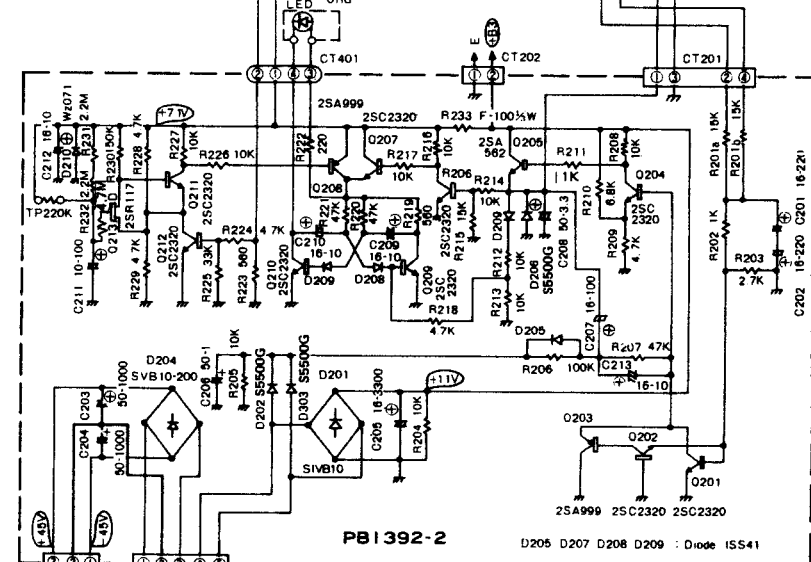
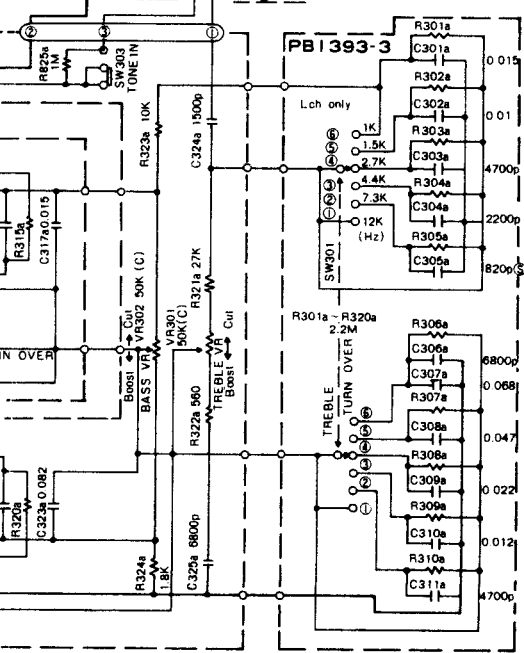
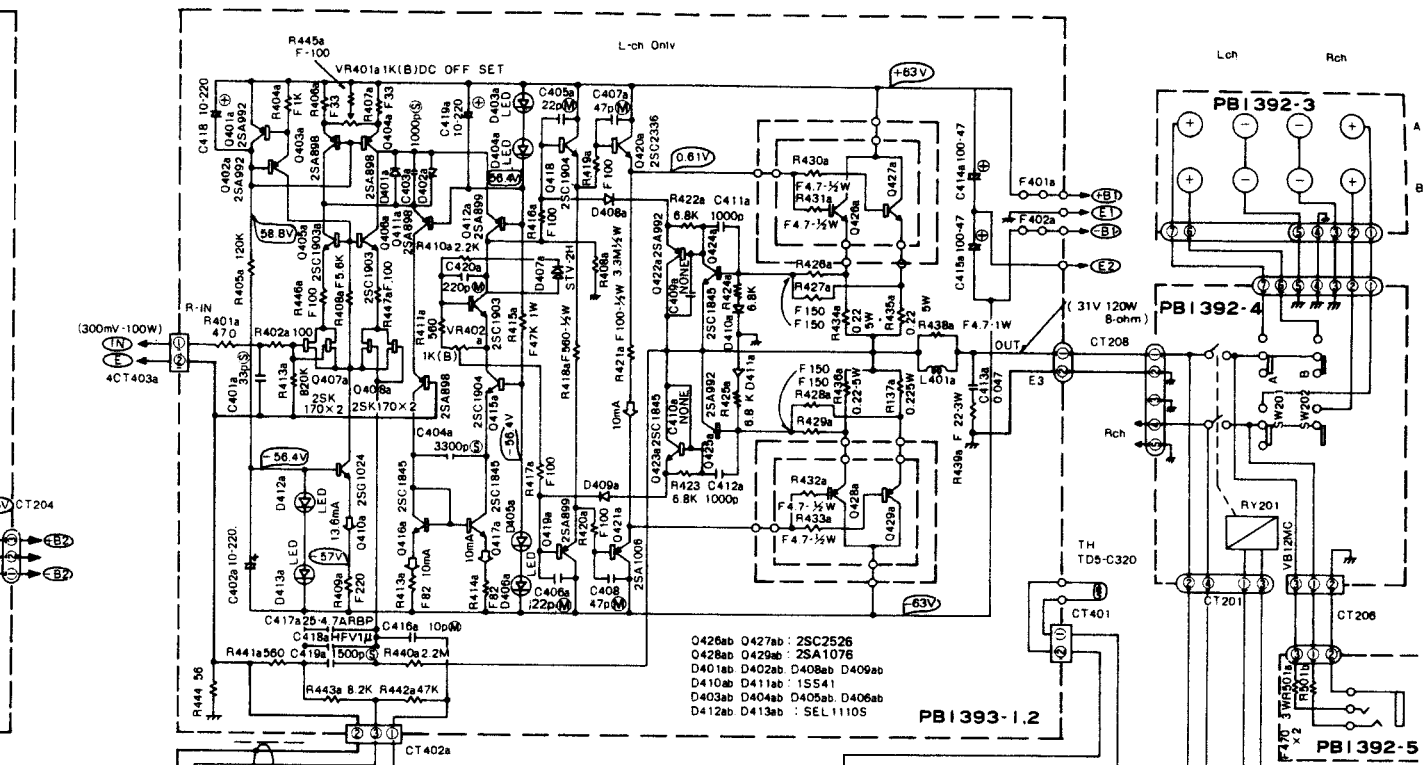


L-530 Schematic Diagram

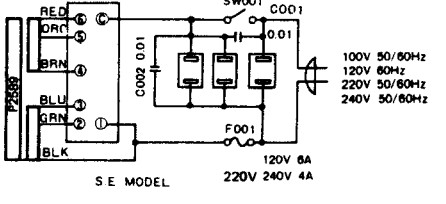


- NOTES**
1. UNLESS OTHERWISE SPECIFIED, ALL RESISTORS ARE IN OHMS.
 2. TRANSISTORS AND DIODES MAY BE REPLACED BY EQUIVALENTS.
 3. DUE TO CONTINUED IMPROVEMENTS IN COMPONENTS, SOME VALUES MAY VARY FROM THOSE SHOWN.
 4. ⏏ DC VOLTAGE, ⏏ DC CURRENT.

L-530



C506, C507 : 71V - 3000µF
 C508, C509 : 0.47 Vx
 C510, C511 : 1500P(S)



RESISTORS ARE IN OHM $\frac{1}{2}$ WATT ALL CAPACITORS ARE IN MICRO FARAD.
 COMBINED WITH ANY TYPE HAVING COMPARABLE RATINGS.
 WE RESERVE THE RIGHT TO ALTER THE CIRCUIT OR SPECIFICATION.
) AC VOLTAGE AT 100W OUTPUT 8ohm

30