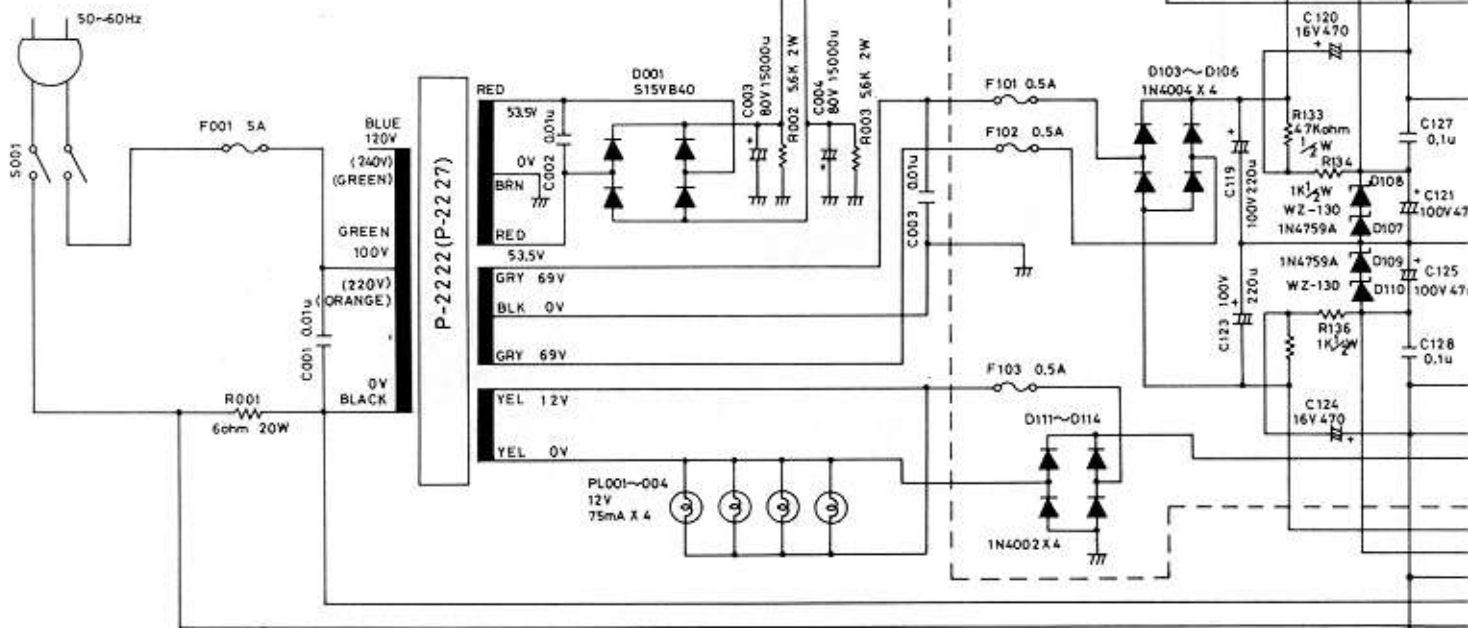
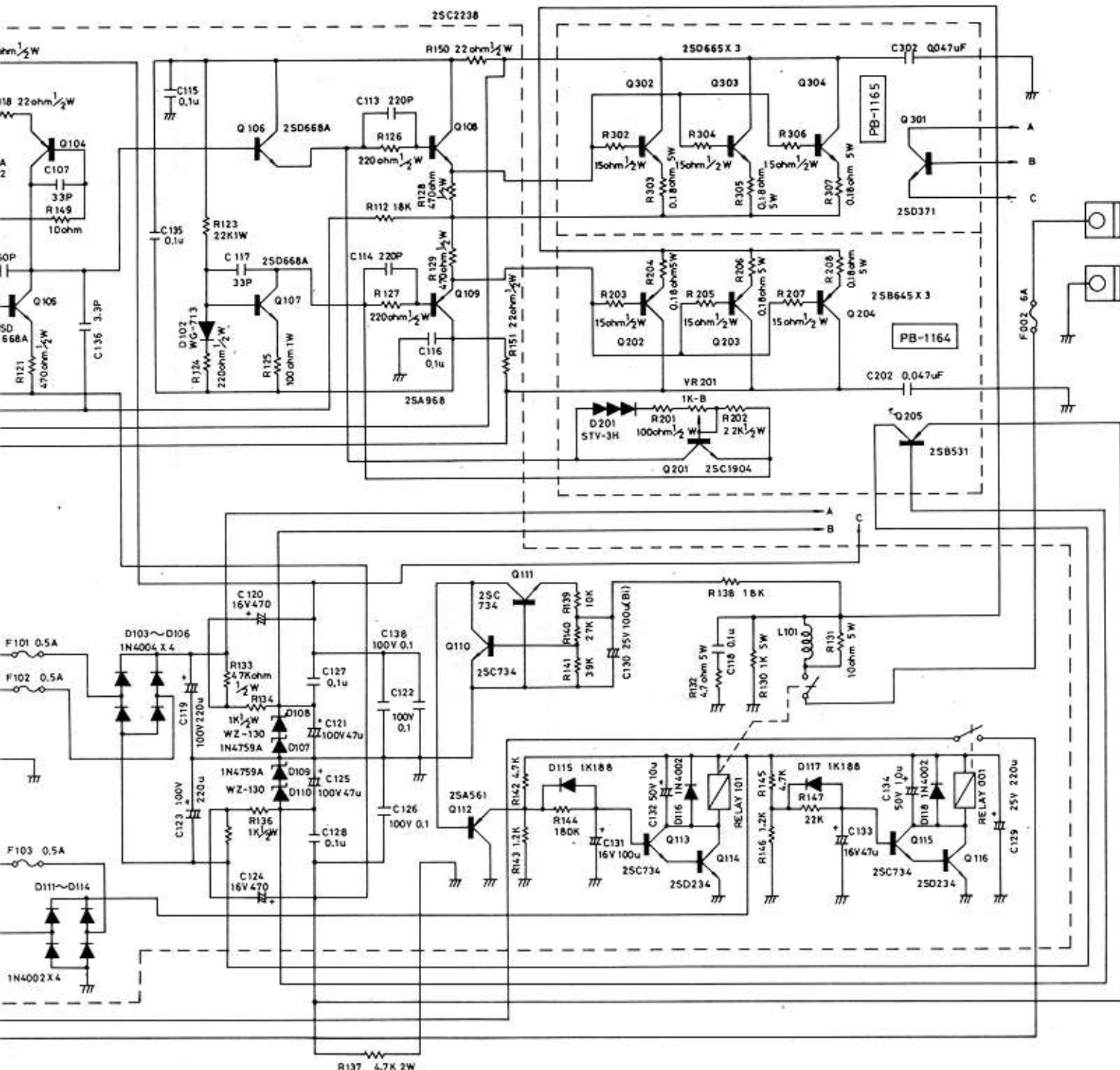


PB-1166



- R13
1. Unless otherwise specified, all capacitors are 50V.
 2. Transistors, ICs, and diodes are of the types having the same part number as shown.
 3. There might be some variations in the component values.



1. Unless otherwise specified, all resistors are in ohm $\frac{1}{2}$ watt, all capacitors are in micro farad (μF).
2. Transistors, IC and diodes may be replaced with any types having comparable rating.
3. There might be slight changes in the actual set.

ULTIMATE HIGH FIDELITY STEREO COMPONENTS



B-12