

**NAD**

**SERVICE  
MANUAL**

**3240PE**

**INTEGRATED AMPLIFIER**

CONTENTS  
-3240PE-

REAR / FRONT PANEL CONNECTIONS	PAGE 3
SPECIFICATIONS	PAGE 4
ALIGNMENT METHOD	PAGE 5
AMPLIFIER PCB LAYOUT AND WIRING DIAGRAM	PAGE 6 - 8:
SCHEMATIC DIAGRAM	PAGE 9 - 10
PCB COMPONENT LOCATION	PAGE 11 - 13
EXPLODED VIEW	PAGE 14
PARTS LIST, EXPLODED VIEW	PAGE 15 - 17
PACKING DIAGRAM	PAGE 17 - 18

- REAR PANEL**
1. AC Line Cord
  2. AC Convenience Outlets
  3. Speakers A
  4. Speakers B
  5. Phono Ground
  6. Phono Input
  7. Tuner Input

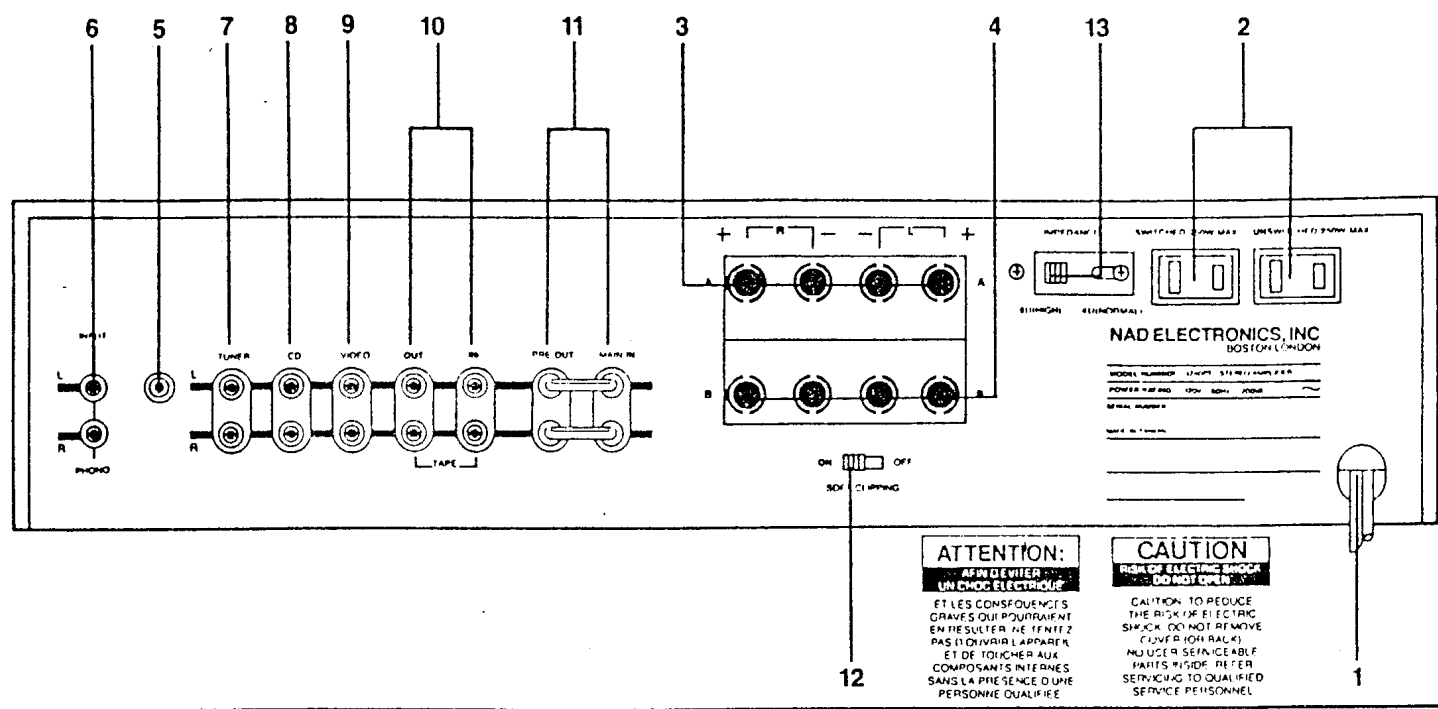
- LE PANNEAU ARRIERE**
8. CD Input
  9. Video Input
  10. Tape Input/Output
  11. Preamp Out. Main In
  12. Soft Clipping
  13. Speaker Impedance

- LE PANNEAU ARRIERE**
1. Cordon d'alimentation
  2. Prises CA
  3. Enceintes A
  4. Enceintes B
  5. Masse phonorecteur
  6. Entrée phono
  7. Entrée tuner

- RUCKSEITE**
8. CD Eingang
  9. Video
  10. Tonanlage al Eingang Ausgang
  11. Unverstärker Ausgang Endverstärker Eingang
  12. Impedanzleistungs Schalter
  13. Lautsprecherimpedanz Schalter

- RUCKSEITE**
1. Netzkabel
  2. Sekundär Steckdosen
  3. Anschlüsse für Lautsprechergruppe A
  4. Anschlüsse für Lautsprechergruppe B
  5. Masseanschluss für Plattenspieler
  6. Plattenspieler-Eingang
  7. Tuner-Eingang

- RUCKSEITE**
8. CD Eingang
  9. Video
  10. Tonanlage al Eingang Ausgang
  11. Unverstärker Ausgang Endverstärker Eingang
  12. Impedanzleistungs Schalter
  13. Lautsprecherimpedanz Schalter



**ATTENTION:**  
**AFRÉVIER**  
**UN CHOC ÉLECTRIQUE**  
 ET LES CONSÉQUENCES  
 GRAVES QUI POURRAIENT  
 EN RÉSULTER NE FAITEZ  
 PAS OUVRIER L'APPAREIL  
 ET DE TOUCHER AUX  
 COMPOSANTS INTERNES  
 SANS LA PRÉSENCE D'UNE  
 PERSONNE QUALIFIÉE

**CAUTION**  
**RISK OF ELECTRIC SHOCK**  
**DO NOT OPEN**  
 CAUTION TO REDUCE  
 THE RISK OF ELECTRIC  
 SHOCK DO NOT REMOVE  
 COVER (OR BACK)  
 NO USER SERVICEABLE  
 PARTS INSIDE. REFER  
 SERVICING TO QUALIFIED  
 SERVICE PERSONNEL

- FRONT PANEL**
1. Power
  2. Phones
  3. Speaker Selector
  4. Bass
  5. Treble
  6. Bass EQ
  7. Infrasonic Filter Off

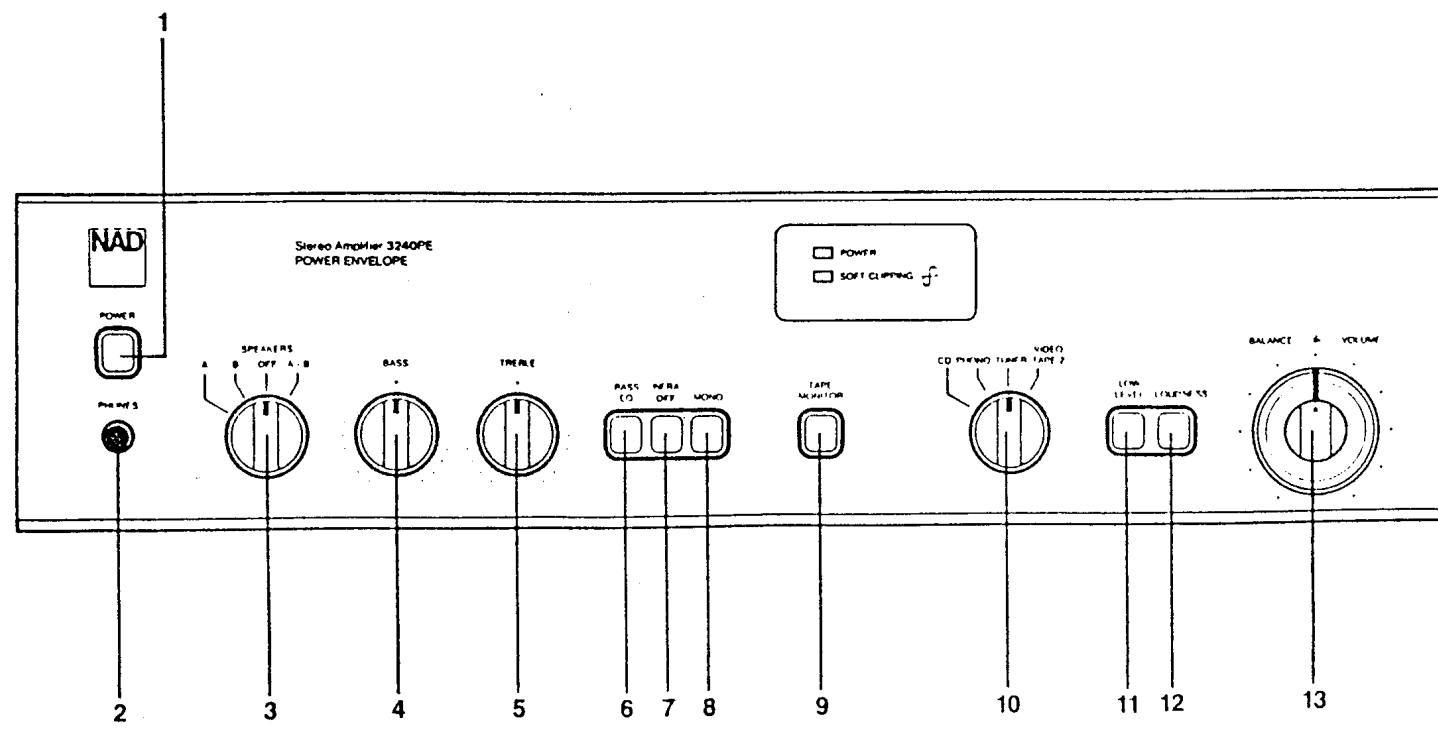
- LE PANNEAU AVANT**
8. Mono
  9. Tape Monitor
  10. Input Selector
  11. Low Level
  12. Loudness
  13. Volume/Balance

- LE PANNEAU AVANT**
1. Alimentation
  2. Casque d'écoute
  3. Sélecteur d'enceintes
  4. Graves
  5. Aigus
  6. Bass Eq
  7. Filtre infrasonique

- FRONTSEITE**
8. Mono
  9. Commutateur de surveillance de bande
  10. Sélecteur d'entrée
  11. -Low level-
  12. Commutateur de contour sonore
  13. Volume/Equilibrage

- FRONTSEITE**
1. Netzschalter
  2. Kopfhörer-Anschluß
  3. Lautsprecher Wählschalter
  4. Basssteller
  5. Höhensteller
  6. Bass/Equalizer Schalter
  7. Schalter für Infrasschall Filter

- FRONTSEITE**
8. Mono Scheren Schalter
  9. Nur Über Band Schalter
  10. Eingangs Wählschalter
  11. Schalter für Lautstärkeabsenkung
  12. Geeignichte Lautstärke Einstellung
  13. Lautstärke Balance-Steller



## Specifications

### NAD 3240PE Stereo Amplifier

Measured in accordance with EIA Standard RS-490 (formerly IHF A-202). Measurements referred to 8 ohms taken with Speaker Impedance selector set to "8Ω (High)." Measurements for 4 and 2 ohms taken with Impedance selector at "4Ω (Normal)."

#### Power Amplifier Section

##### CONTINUOUS AVERAGE POWER

**OUTPUT AT 8 OHMS** (minimum RMS power per channel, both channels driven, with no more than the rated distortion) 40 W (16 dBW)

**Rated distortion (THD), 20 Hz - 20 kHz** 0.03%

**Clipping power, 1 kHz** (maximum continuous power per channel) 50 W

**Dynamic Headroom at 8 ohms** +6 dB

**Dynamic power** (maximum short-term power per channel)

8 ohms	160 W
4 ohms	200 W
2 ohms	250 W

**Damping factor** > 50

**Slew factor** > 50

**Slew rate** 15V/μsec

**T.H.D. and SMPTE I.M. distortion from 250 mW to rated output** < 0.03%

**IHF I.M. (CCIF IM) and T.I.M. distortion at rated output** < 0.03%

**Input impedance** 22 kΩ

**Input sensitivity for 1 W/ 40 W out** 160 mV / 1.0 V

**Power amp gain** 25 dB (18X)

#### Preamplifier Section

##### Phono Input

**Input Impedance** R = 47kΩ , C = 100 pF

**Input Sensitivity** (1 kHz) 0.55 mV for 1 W out  
3.5 mV for 40 W out

**Signal-to-Noise Ratio with cartridge connected, A-weighted** 76 dB re 5 mV

**Input Overload at 20 Hz/1kHz/20kHz** 20/180/1500 mV

**RIAA Accuracy** ±0.5 dB

##### High-Level Inputs (Tuner, CD, Video, Tape)

**Input Impedance** R = 15 kΩ , C = 100 pF

**Input Sensitivity** 26 mV for 1W out  
160 mV for 40W out

**Signal-to-Noise ratio, A-weighted** 86 dB re 1 W out  
102 dB re 40W out

**Input Overload** >10 V

**Frequency Response** 20Hz - 20kHz ±0.5 dB

##### Outputs

**Preamp output impedance** 600 Ω

**Tape output impedance** Source Z + 1000 Ω

#### Controls

**Treble** ±7 dB at 10kHz

**Bass** ±10 dB at 50 Hz

**Bass Equalization** +3 dB at 70 Hz

+6 dB at 40 Hz

**Infrasonic Filter** -3 dB at 12 Hz

12 dB/octave

**Low Level** (audio muting) -20 dB

#### Physical Specifications

**Width x Height x Depth** 42 x 10.8 x 38 cm.  
16.5 x 4.25 x 15 in.

**Net Weight** 6.7 kg ( 14 lbs 14 oz)

**Shipping Weight** 8 kg ( 17 lb 12 oz)

**Power Consumption** 50/60 Hz at 110, 120, 220, or 240 VAC  
200 W

Specifications are those in effect at the time of printing. NAD reserves the right to change specifications or designs at any time without notice.

## ALIGNMENT METHOD

### AUDIO SECTION 3240PE

#### IMPORTANT

Speaker Impedance switch should be in 8 ohm position while adjusting center voltage and idling current.

#### INITIAL ADJUSTMENT (No load connected)

##### A. CENTER VOLTAGE

1. Connect DC millivoltmeter to L channel output terminals.
2. Turn on and adjust to 0 V +/- 30mV with VR401 (10KB). Connect DC millivoltmeter to R channel output terminals and adjust VR402 to 0 V +/- 30mV.

##### B. IDLING CURRENT

1. Remove solder short across R471 and R472.
2. Connect DC millivoltmeter across R471 (1 ohm) (output transistor's collector resistor) and adjust VR403 (1KB) for 26-30mV reading on meter.  
Repeat adjust with VR404 (1KB), connecting meter across R472(1 ohm)
3. leave power on for minimum 5 minutes.

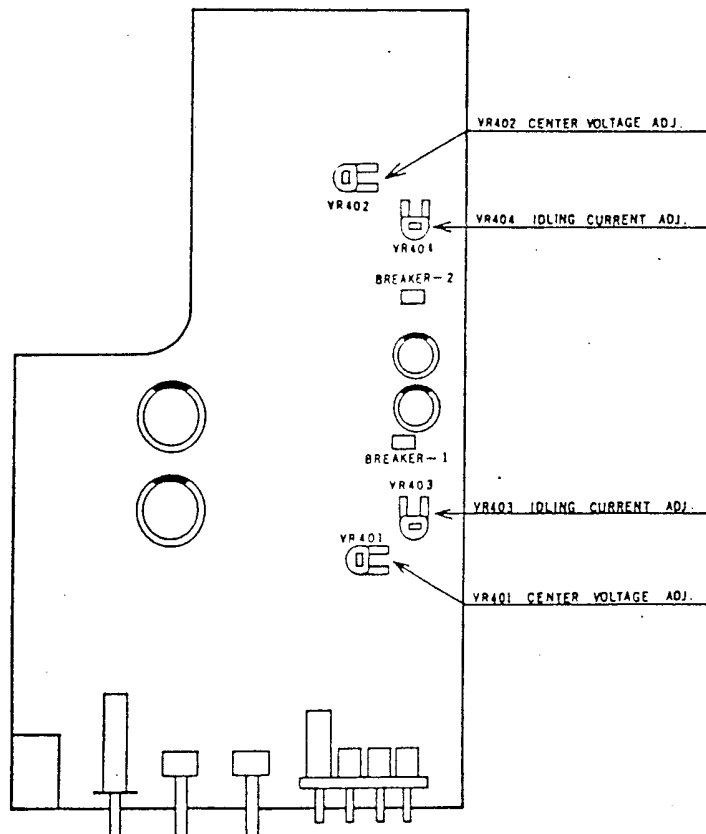
#### FINAL ADJUSTMENT

##### C. CENTER VOLTAGE

1. Repeat step A above.

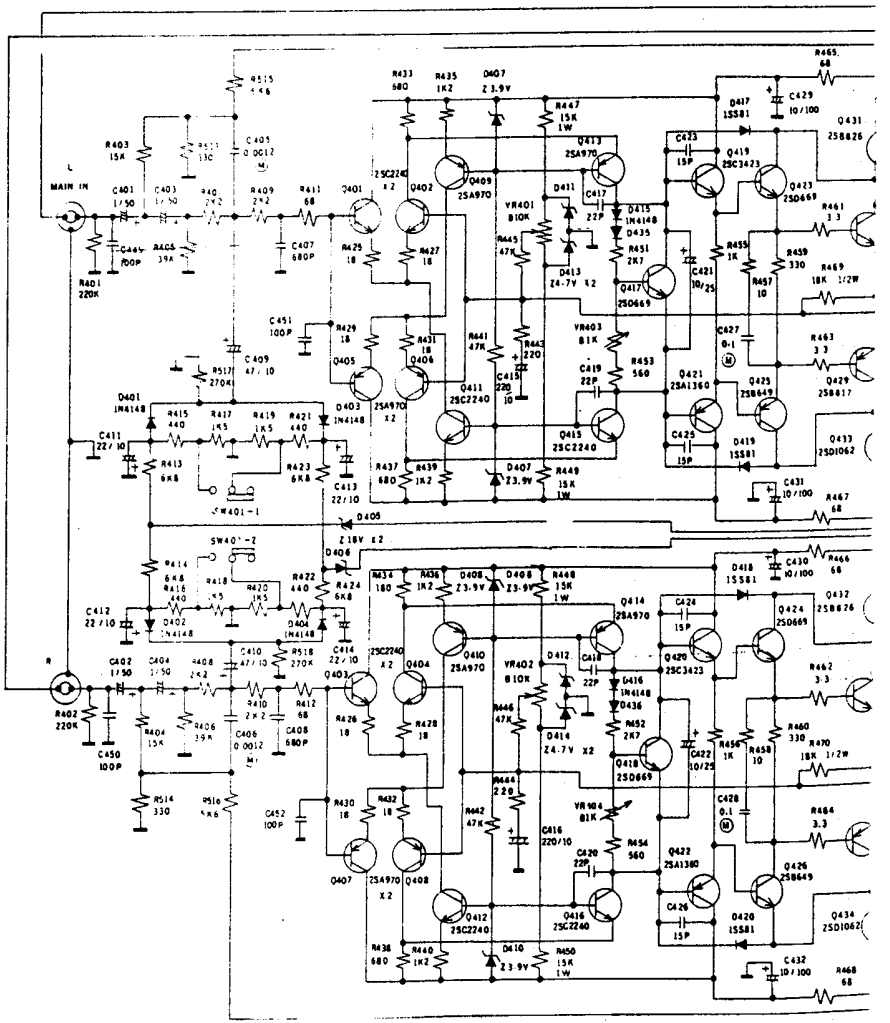
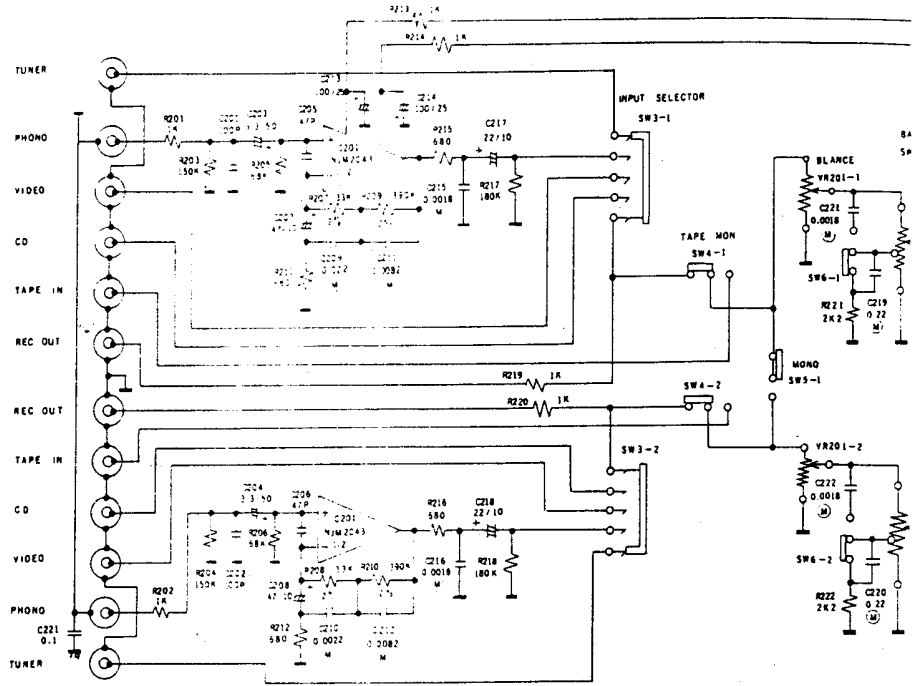
##### D. IDLING CURRENT

1. Repeat step B and adjust with VR403, VR404 for 30mV reading on meter.
2. After the alignment is finished, 1 ohm resistor R471,R472 is shorted by solder short.



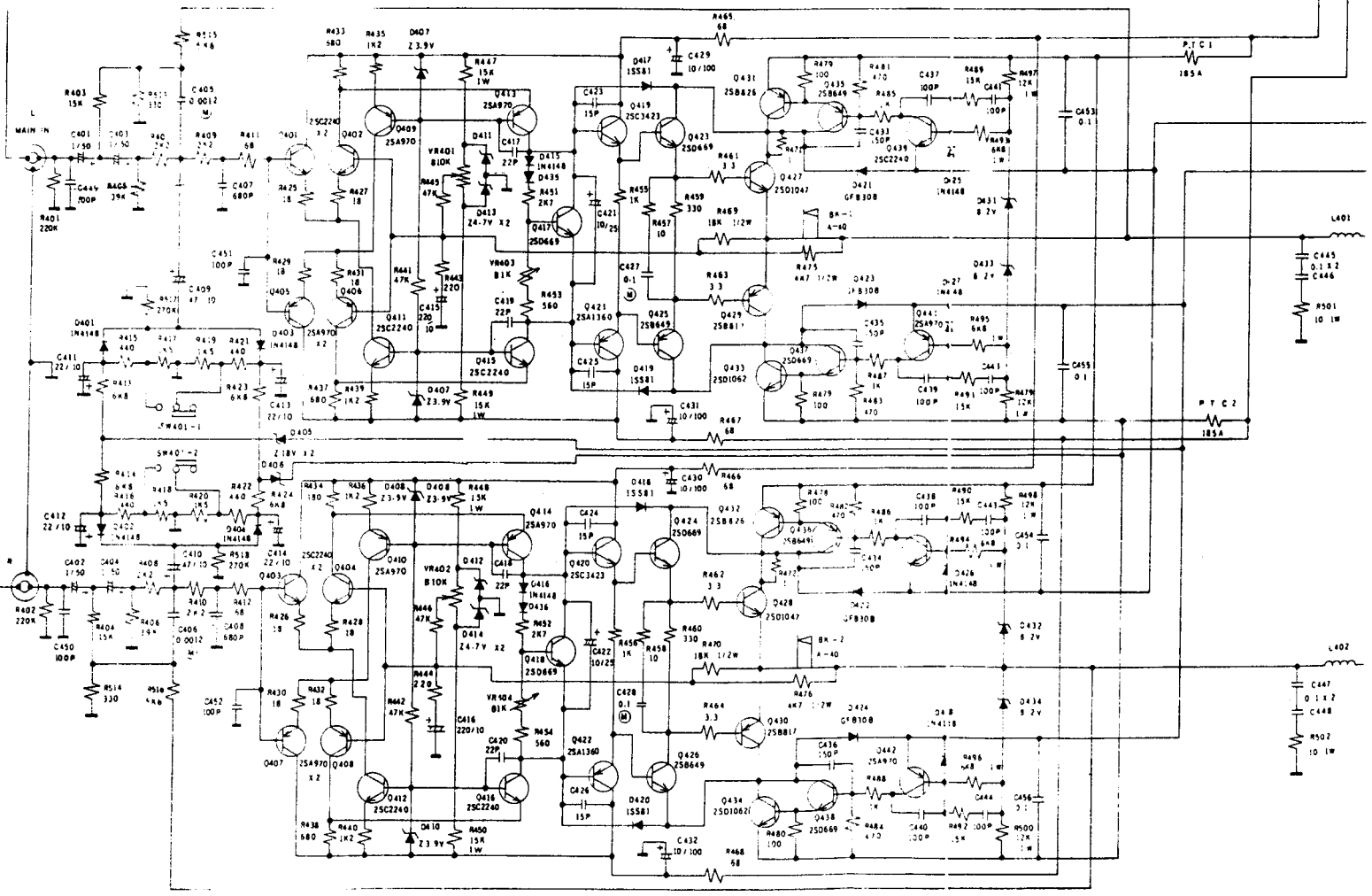
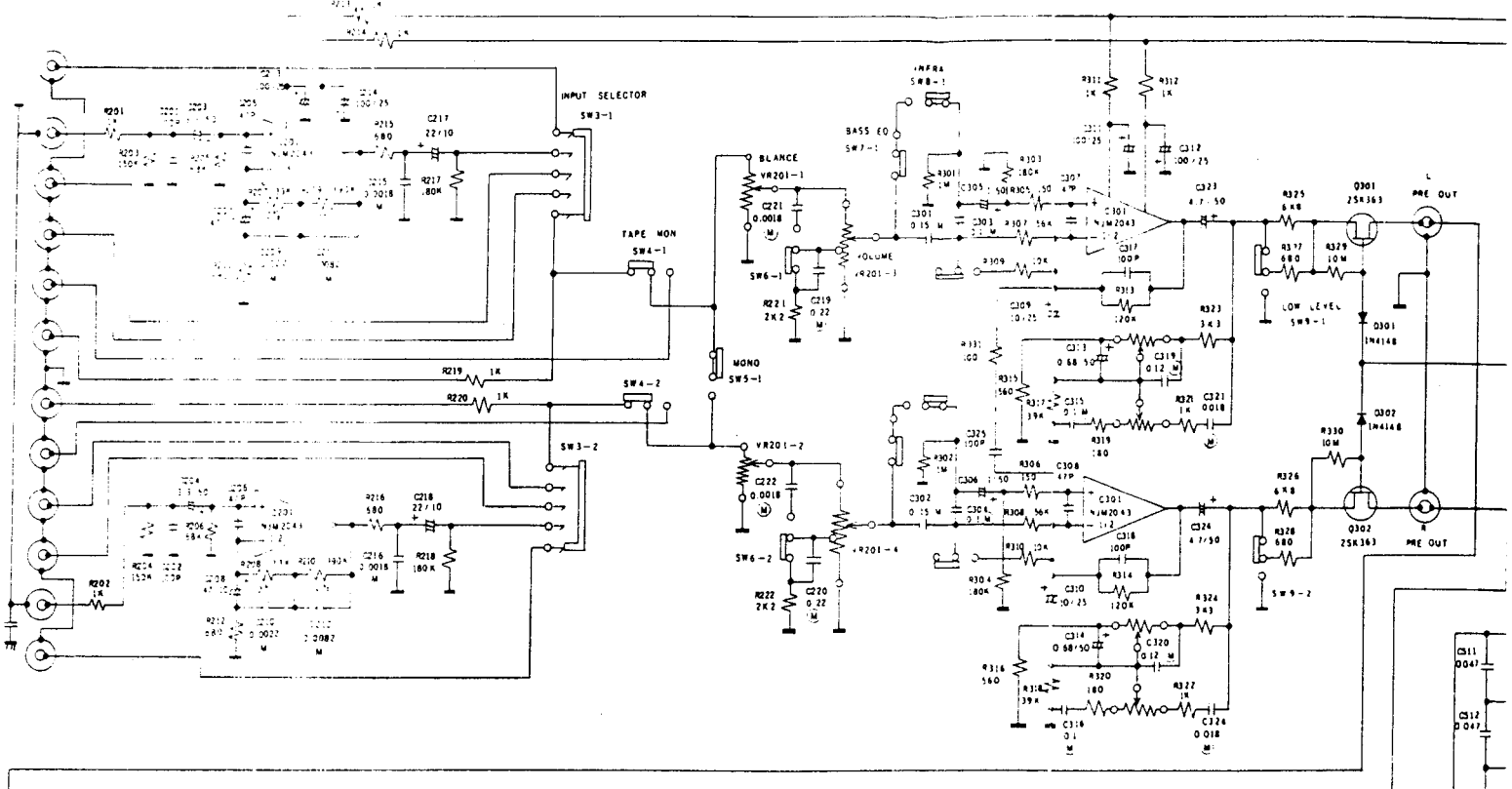
AMPLIFIER ADJUSTMENT POINTS

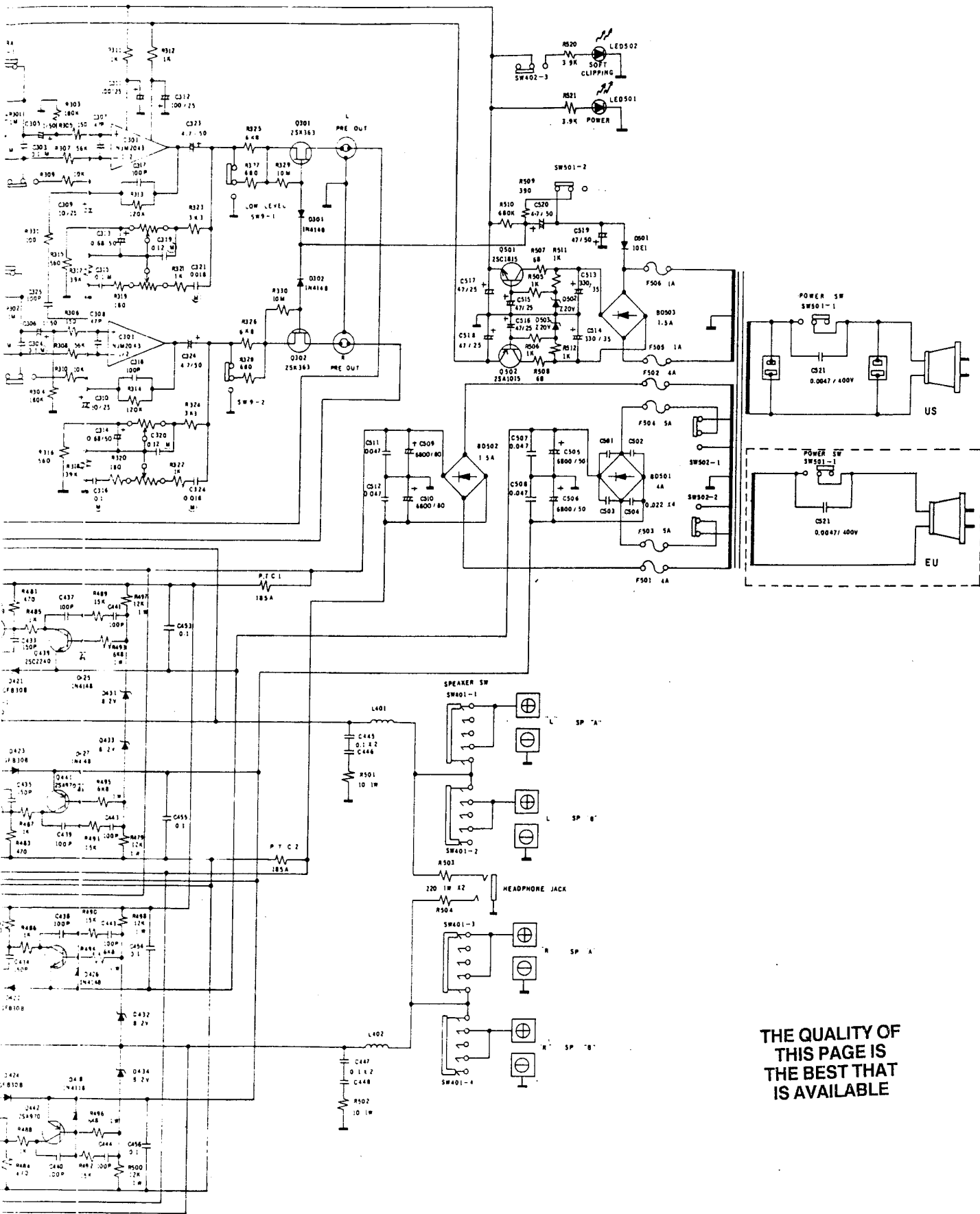
# SCHEMATIC DIAGRAM NAD 3240PE AMPLIFIER



**THE QUALITY OF  
THIS PAGE IS  
THE BEST THAT  
IS AVAILABLE**

# SCHEMATIC DIAGRAM NAD 3240PE AMPLIFIER





THE QUALITY OF  
THIS PAGE IS  
THE BEST THAT  
IS AVAILABLE



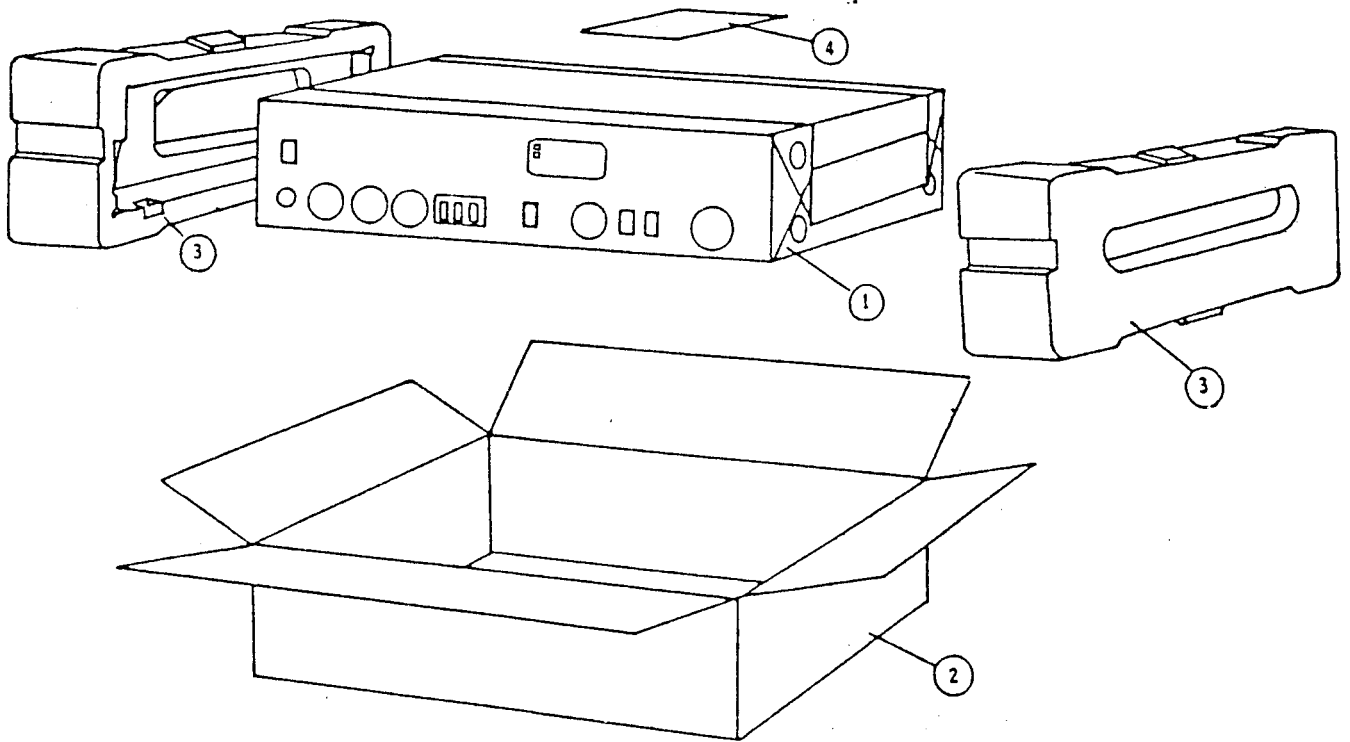
ITEM	PARTS NO.	NAME		Q'TY	ITEM	PARTS NO.	NAME		Q'TY
01	L580A002H01	COVER BOTTOM		1	29	L704C013H02	HAND-POST (RED)	C3	4
02	L561A010H01	CABINET		1	29	L704C013H02	HAND-POST (RED)	C2	4
03	L582A001H01	CHASSIS, FRONT SUB		1	30	L531D018H01	BINDING POST GROUND		1
04	L702A017H02	PANEL, FRONT		1	31	U683D011H01	WASHER PLANE		1
05	L582A002H13	PANEL, REAR	A1	1	32	L703D027H01	PLATE SWITCH LOCK		1
05	L572A002H13	PANEL, REAR	A2	1	33	L449Y002H02	AC SOCKET	A1	2
05	L582A002H13	PANEL, REAR	A	1	33	L449Y002H02	AC SOCKET	A2	2
05	L582A002H15	PANEL, REAR	B	1	33	L449Y002H02	AC SOCKET	A	2
05	L582A002H14	PANEL, REAR	C1	1	33	L449Y002H02	AC SOCKET	C3	2
05	L582A002H14	PANEL, REAR	C	1	33	L449Y002H02	AC SOCKET	C2	2
05	L582A002H15	PANEL, REAR	B1	1	34	L242Y501H01	AC CORD	A1	1
05	L582A002H13	PANEL, REAR	C3	1	34	L242Y501H01	AC CORD	A2	1
05	L582A002H16	PANEL, REAR	C2	1	34	L242Y501H01	AC CORD	A	1
06	L547B005H01	FRAME (L)		1	34	L242Y501H01	AC CORD	B	1
07	L547B006H01	FRAME (R)		1	34	L242Y501H01	AC CORD	C1	1
08	L565B005H01	HEAR STNK		1	34	L242Y501H01	AC CORD	C	1
09	L541C017H01	BRACKER, PCB SUPPORT		1	34	L242Y501H01	AC CORD	B1	1
10	L704D062H01	KNOB VOLUME		1	34	L242Y501H01	AC CORD	C3	1
11	L704D061H01	KNOB, FUNCTION SELECTOR		6	34	L242Y501H01	AC CORD	C2	1
12	L704D061H02	KNOB POWER		1	35	L540D501H01	CLAMPER		1
13	L704D065H01	KNOB BALANCE		1	36	L291D006H01	BAR LINK		1
14	L704D064H01	KNOB ROTARY		4	37	L552D013H01	CUSHION SPONGE		1
15	L550D037H01	RING, FELT TONECONTROL		4	38	L771D006H01	FOOT RUBBER		4
16	L550D037H02	RING, FELT VOLUMECONTROL		4	39	U650S065H19	SCREW-BM3x6		6
17	L241B092G60	PCB ASS'Y MAIN (LED)		1	40	U650S063H19	SCREW-BM3x6		12
18	L550D036H02	BEARING SHAFT		1	41	L650S063H95	SCREW-PM4x10		6
19	L531D017H01	SHAFT, INPUT SELECTOR		1	42	U650S063H95	SCREW-PM4x10		4
20	L526D022H01	SLEEVE, INPUT SELECTOR SWITCH		1	43	U650S025H31	SCREW-PM4x10		4
21	L241B094G11	PCB ASS'Y CONTROL (PHONO)		1	44	U656S164H23	SCREW-TAP 1-3x6		10
22	L241B094G21	PCB ASS'Y CONTROL (VOL)		1					
23	L241B092G10	PCB ASS'Y MAIN		1					
24	L350Y039H01	TRANSFORMER, MAIN POWER		1					
25	L241B092G50	PCB ASS'Y HEADPHONE		1					
26	L241B092G30	PCB ASS'Y BINDING POSTS		1					
27	L541B018H01	BINDING POSTS LOUDSPEAKER		2					
28	L704C013H01	HAND-POST (BLK)	A1	4					
28	L704C013H01	HAND-POST (BLK)	A2	4					
28	L704C013H01	HAND-POST (BLK)	A	4					
28	L704C013H01	HAND-POST (BLK)	B	4					
28	L704C013H01	HAND-POST (BLK)	C1	4					
28	L704C013H01	HAND-POST (BLK)	C	4					
28	L704C013H01	HAND-POST (BLK)	B1	4					
28	L704C013H01	HAND-POST (BLK)	C3	4					
28	L704C013H01	HAND-POST (BLK)	C2	4					
29	L704C013H02	HAND-POST (RED)	A1	4					
29	L704C013H02	HAND-POST (RED)	A2	4					
29	L704C013H02	HAND-POST (RED)	A	4					
29	L704C013H02	HAND-POST (RED)	B	4					
29	L704C013H02	HAND-POST (RED)	C1	4					
29	L704C013H02	HAND-POST (RED)	C	4					
29	L704C013H02	HAND-POST (RED)	B1	4					

## 3240PE PARTS LIST

SYMBOL NO.	PART NO.	DESCRIPTION	REF								
R201,202,213,214,219,220	L103Y214H19	Res, Carb,	1K	+5%	1/4W	R493,494,495,496	U105S007H35	Res, Metal,	6.8K	+5%	1W
R203,204	L103Y214H45	Res, Carb,	.150K	+5%	1/4W	R497,498,499,500	U105S007H38	Res, Metal,	12K	+5%	1W
R205,206	L103Y214H41	Res, Carb,	68K	+5%	1/4W	R501,502	U105S007H01	Res, Metal,	10	+5%	1W
R207,208	L103Y216H61	Res, Carb,	33K	+2%	1/4W	R503,504	U105S007H17	Res, Metal,	220	+5%	1W
R209,210	L103Y216H87	Res, Carb,	390K	+2%	1/4W	R505,506,511,512	L103Y214H19	Res, Carb,	1K	+5%	1/4W
R211,212,215,216	L103Y214H17	Res, Carb,	680	+5%	1/4W	R507,508	L103Y214H06	Res, Carb,	68	+5%	1/4W
R217,218	L103Y214H46	Res, Carb,	180K	+5%	1/4W	R509	L103Y214H14	Res, Carb,	390	+5%	1/4W
R221,222	L103Y214H23	Res, Carb,	2.2K	+5%	1/4W	R510	L103Y214H53	Res, Carb,	680K	+5%	1/4W
R301,302	L103Y214H55	Res, Carb,	1M	+5%	1/4W	R513,514	U103S017H13	Res, Carb,	330	+5%	1/4W
R303,304	L103Y214H46	Res, Carb,	180K	+5%	1/4W	R515,516	L103Y214H28	Res, Carb,	5.6K	+5%	1/4W
R305,306	L103Y214H09	Res, Carb,	150	+5%	1/4W	R517,518	L103Y214H48	Res, Carb,	270K	+5%	1/4W
R307,308	L103Y214H40	Res, Carb,	56K	+5%	1/4W	R520	L103Y214H26	Res, Carb,	3.9K	+5%	1/4W
R309,310	L103Y214H31	Res, Carb,	10K	+5%	1/4W	R521	L103Y022H26	Res, Carb,	3.9K	+5%	1/4W
R311,312,321,322	L103Y214H19	Res, Carb,	1K	+5%	1/4W	C201,202	L140Y203H35	Cap, Cer,	100pF	+5%	50WV
R313,314	L103Y214H44	Res, Carb,	120K	+5%	1/4W	C203,204	L182Y322H62	Cap, El,	3.3uF	+75-10%	50V
R315,316	L103Y214H16	Res, Carb,	560	+5%	1/4W	C205,206	L140Y203H27	Cap, Cer,	47pF	+5%	50WV
R317,318	L103Y214H38	Res, Carb,	39K	+5%	1/4W	C207,208	L182Y322H13	Cap, El,	47uF	+50-10%	10V
R319,320	L103Y214H10	Res, Carb,	180	+5%	1/4W	C209,210	L172Y306H05	Cap, Poly,	2200pF	+5%	50WV
R323,324	L103Y214H25	Res, Carb,	3.3K	+5%	1/4W	C211,212	L172Y306H12	Cap, Poly	8200pF	+5%	50WV
R325,326	L103Y214H29	Res, Carb,	6.8K	+5%	1/4W	C213,214	L182Y322H38	Cap, El,	100uF	+50-10%	25V
R327,328	L103Y214H17	Res, Carb,	680	+5%	1/4W	C215,216,221,222	L172Y306H04	Cap, Poly,	1800pF	+5%	50WV
R329,330	L103Y214H59	Res, Carb,	10M	+5%	1/4W	C217,218	L182Y322H21	Cap, El,	22uF	+50-10%	16V
R331	L103Y214H07	Res, Carb,	100	+5%	1/4W	C219,220	U172S002H15	Cap, Poly,	0.22uF	+5%	50V
R401,402	L103Y214H47	Res, Carb,	220K	+5%	1/4W	C233	L140Y201H25	Cap, Cer,	0.1uF	+10%	25WV
R403,404,489,490,491,492	L103Y214H33	Res, Carb,	15K	+5%	1/4W	C301,302	U172S002H14	Cap, Poly,	0.15uF	+5%	50WV
R405,406	L103Y214H38	Res, Carb,	39K	+5%	1/4W	C303,304	L172Y306H25	Cap, Poly,	0.1uF	+5%	50WV
R407,408,409,410	L103Y214H23	Res, Carb,	2.2K	+5%	1/4W	C305,306	U182S333H40	Cap, El,	1uF	+75-10%	50V
R411,412	L103Y214H06	Res, Carb,	68	+5%	1/4W	C307,308	L140Y203H27	Cap, Cer,	47pF	+5%	50WV
R413,414,423,424	L103Y214H29	Res, Carb,	6.8K	+5%	1/4W	C309,310	L182Y322H34	Cap, El,	10uF	+50-10%	25V
R415,416,421,422	L103Y022H80	Res, Carb,	440	+5%	1/4W	C311,312	L182Y322H38	Cap, El,	100uF	+50-10%	25V
R417,418,419,420	L103Y214H21	Res, Carb,	1.5K	+5%	1/4W	C313,314	U182S322H38	Cap, El,	0.68uF	+75-10%	50V
R425,426,427,428,429,430,431	L103Y214H66	Res, Carb,	18	+5%	1/4W	C315,316	U172S002H13	Cap, Poly,	0.1uF	+5%	50WV
R432						C317,318	L140Y203H35	Cap, Cer,	100pF	+5%	50WV
R433,434,437,438	L103Y214H17	Res, Carb,	680	+5%	1/4W	C319,320	L172Y306H26	Cap, Poly,	0.12uF	+5%	50WV
R435,436,439,440	L103Y214H20	Res, Carb,	1.2K	+5%	1/4W	C321,322	L172Y306H16	Cap, Poly,	0.018uF	+5%	50WV
R441,442,445,446	L103Y214H39	Res, Carb,	47K	+5%	1/4W	C323,324	L182Y322H63	Cap, El,	4.7uF	+75-10%	50V
R443,444	L103Y214H11	Res, Carb,	220	+5%	1/4W	C325	L140Y203H35	Cap, Cer,	100pF	+5%	50WV
R447,448,449,450	U105S007H39	Res, Metal,	15K	+5%	1W	C401,402,403,404	U182S333H40	Cap, El,	1uF	+75-10%	50V
R451	U103S017H24	Res, Carb,	2.7K	+5%	1/4W	C405,406	L172Y306H02	Cap, Poly,	1200pF	+5%	50WV
R452	L103Y214H24	Res, Carb,	2.7K	+5%	1/4W	C407,408	L140Y306H10	Cap, Cer,	680pF	+10%	50WV
R453,454	L103Y214H16	Res, Carb,	560	+5%	1/4W	C409,410	L182Y322H13	Cap, El,	47uF	+50-10%	10V
R455,456	L103Y214H19	Res, Carb,	1K	+5%	1/4W	C411,412,413,414	L182Y322H23	Cap, El,	22uF	+50-10%	16V
R457,458	L103Y214H01	Res, Carb,	10	+5%	1/4W	C415,416	U182S022H15	Cap, El,	220uF	+50-10%	10V
R459,460	L103Y214H13	Res, Carb,	330	+5%	1/4W	C417,418,419,420	L140Y203H19	Cap, Cer,	22pF	+5%	50WV
R461,462,463,464	U103S140H60	Res, Carb,	3.3	+5%	1/3W	C421,422	L182Y322H34	Cap, El,	10uF	+50-10%	25V
R465,466,467,468	U103S140H06	Res, Carb,	68	+5%	1/3W	C423,424,425,426	L140Y203H15	Cap, Cer,	15pF	+5%	50WV
R469,470	U103S024H34	Res, Carb,	18K	+5%	1/2W	C427,428	L172Y306H25	Cap, Poly,	0.1uF	+5%	50WV
R471,472	L103Y214H62	Res, Carb,	1	+5%	1/4W	C429,430,431,432	U182S022H88	Cap, El,	10uF	+50-10%	100V
R475,476	U103S024H27	Res, Carb,	4.7K	+5%	1/2W	C433,434,435,436	L140Y203H39	Cap, Cer,	150pF	+5%	50WV
R477,478,479,480	L103Y214H07	Res, Carb,	100	+5%	1/4W	C437,438,439,440,441,442,443	L140Y203H35	Cap, Cer,	100pF	+5%	50WV
R481,482,483,484	L103Y214H15	Res, Carb,	470	+5%	1/4W	C444,449,450,451,452					
R485,486,487,488	U103S140H19	Res, Carb,	1K	+5%	1/3W	C445,446,447,448	L140Y201H25	Cap, Cer,	0.1uF	+10%	25WV
						C453,454,455,456	U140S021H71	Cap, Cer,	0.1uF	+80-20%	50WV
						C501,502,503,504	L140Y306H39	Cap, Cer,	0.022uF	+80-20%	50WV
						C505,506	U180S016H01	Cap, El,	6800uF	+50-10%	50V
						C507,508	L140Y306H45	Cap, Cer,	0.047uF	+80-20%	50WV

C509,510	L180Y038H02	Cap, EI,	6800uF	+50-10%	80V	SW501	L432Y035H01	SW-POWER	A1
C511,512	L140Y306H45	Cap, Cer,	0.047uF	+80-10%	50WV	SW501	L432Y035H01	SW-POWER	A2
C513,514	U182S022H51	Cap, EI,	330uF	+50-10%	35V	SW501	L432Y035H01	SW-POWER	A
C515,516,517,518	L182Y322H37	Cap, EI,	47uF	+50-10%	25V	SW501	L432Y034H01	SW-POWER	B
C519	L182Y322H67	Cap, EI,	47uF	+50-10%	50V	SW501	L432Y034H01	SW-POWER	C1
C520	L182Y322H63	Cap, EI,	4.7uF	+75-10%	50V	SW501	L432Y034H01	SW-POWER	C
C521	U140Y007H07	Cap, Cer,	0.0047uF	+/-10%	400V	SW501	L432Y034H01	SW-POWER	B1
Q301,302	L260D036H01	TR	25K363(GR)			SW501	L432Y034H01	SW-POWER	C2
Q401,402,403,404,411,412,415	L260D058H01	TR	25C2240(GR)			SW501	L432Y034H01	SW-POWER	C3
Q416,439,440						PT1	L350Y083H01	TRANS-POWER	A1
Q405,406,407,408,409,410,413	L260D057H01	TR	2SA970(GR)			PT1	L350Y087H01	TRANS-POWER	A2
Q414,441,442						PT1	L350Y084H01	TRANS-POWER	A
Q417,418,423,424,437,438	L260D024H05	TR	2SD669A(C)			PT1	L350Y086H01	TRANS-POWER	B
Q419,420	L260D060H01	TR	25C3423(Y)			PT1	L350Y085H01	TRANS-POWER	C1
Q421,422	L260D059H01	TR	2SA1360(Y)			PT1	L350Y086H01	TRANS-POWER	B1
Q425,426,435,436	L260D021H05	TR	25B649A(C)			PT1	L350Y088H01	TRANS-POWER	C3
Q427,428	L260D064H02	TR	2SD1047(E)			PT1	L350Y085H01	TRANS-POWER	C2
Q429,430	L260D063H03	TR	25B817(E)			SW	L431Y013H01	SW-SLIDE	A1
Q431,432	L260D061H03	TR	25B826			SW	L431Y013H01	SW-SLIDE	A2
Q433,434	L260D062H03	TR	2SD1062			SW	L431Y016H01	SW-SLIDE	A
Q501	U260S061H03	TR	25C1815(GR)			SW	L431Y013H01	SW-SLIDE	B
Q502	L260D020H02	TR	2SA1015(GR)			SW	L431Y013H01	SW-SLIDE	C1
D301,302,401,402,403,404,415	U264D037H01	DIODE	IN4148			SW	L431Y013H01	SW-SLIDE	C
D416,425,426,427,428						SW	L431Y013H01	SW-SLIDE	B1
D405,406	L264C003H53	DIODE-ZENER	UZ-15BL			SW	L431Y013H01	SW-SLIDE	C3
D407,408,409,410	L264C003H16	DIODE-ZENER	UZ-3.9B			SW	L431Y013H01	SW-SLIDE	C2
D411,412,413,414	L264C003H20	DIODE-ZENER	UZ-4.7B			F503/F504	U283S017H17	FUSE	A1
D417,518,419,420	U264S010H01	DIODE	ISS81			F503/F504	U283S017H17	FUSE	A2
D421,422,423,424	U264D022H01	DIODE	GF830(B)			F503/F504	U283S017H17	FUSE	A
D431,432,433,434	L264C003H36	DIODE-ZENER	UZ-8.2B(M)			F503/F504	U283S022H28	FUSE	B
D501	U264S003H01	DIODE	10E1			F503/F504	U283S022H28	FUSE	C1
D502,503	U264C003H63	DIODE-ZENER	UZ-20B(M)			F503/F504	U283S022H28	FUSE	C
BD501	L264D018H01		PBL403			F503/F504	U283S022H28	FUSE	B1
BD502,503	L264D017H01		PB153M			F503/F504	U283S017H17	FUSE	C3
LED	L268Y026H01	LED,	SE-9421D (GRN)			F503/F504	U283S022H28	FUSE	C2
LED	L268Y017H01	LED,	SE-9431D (YEL)			F505/F506	U283S017H10	FUSE	A1
IC201	L361Y020H01	IC,	NJM2043(D)			F505/F506	U283S017H10	FUSE	A2
IC301	L262C020H01	IC,	NJM2043(D)			F505/F506	U283S017H10	FUSE	A
L401,402	L361Y023H01	COIL, SPRING				F505/F506	U283S022H17	FUSE	B
BK-1,2	L422Y001H14	BREAKER	A-40			F505/F506	U283S022H17	FUSE	C1
VR201	L121Y009H01	VR,	20KB+50KMM			F505/F506	U283S022H17	FUSE	C
VR301,302	L121Y010H01	VR, ROTARY	10KC			F505/F506	U283S022H17	FUSE	B1
VR401,402	L127Y003H07	VR-SEMI	B10K			F505/F506	U283S017H10	FUSE	C3
VR403,404	L127Y003H02	VR,	B1K			F505/F506	U283S022H17	FUSE	C2
SW	L430Y009H01	SW-SELECT	CD/PHONO/TUNER/AUX			F501/F502	U283S017H16	FUSE	A1
SW	L432Y028H01	SW-PUSH	LOW LEVEL LOUDNESS			F501/F502	U283S017H16	FUSE	A2
SW	L432Y056H01	SW-PUSH	TAPE MONITOR			F501/F502	U283S017H16	FUSE	A
SW5,7,8	L432Y045H01	SW-PUSH				F501/F502	U283S022H22	FUSE	B
SW401	L431Y014H01	SW-SLIDE				F501/F502	U283S022H22	FUSE	C1
SW402	L430Y010H01	SW-ROTARY				F501/F502	U283S022H22	FUSE	C
J	L440Y005H01	JACK-RCA	PHONO			F501/F502	U283S022H22	FUSE	B1
J	L440Y006H01	JACK-RCA	TAPE/REC OUT PRE OUT/MAIN IN			F501/F502	U283S017H16	FUSE	C3
J	L440Y008H01	JACK-RCA	TUNER/CD/AUX			F501/F502	U283S022H22	FUSE	C2
J	L451Y017H02	JACK	HEAD PHONO			F501/F502	L230Y003H01	CONNECTOR	A2
J	L457D501H01	FUSE-HOLDER				F501/F502	L230Y003H01	CONNECTOR	B
J	U565D502H01	RADIATOR				F501/F502	L230Y003H01	CONNECTOR	C1
J	L265Y001H06	PTC				F501/F502	L230Y003H01	CONNECTOR	C
J	U685S223H01	PIN				F501/F502	L230Y003H01	CONNECTOR	B1

# PACKING DIAGRAM



ITEM	NUMBER	NAME	Q'TY
1	L831D002H01	Bag-Poly	1
2	L800D003H04	Carton Individual	1
3	L813A006H01	Styro Packing	2
4	L871B502H85	Instruction	1